

Makino wire EDM's + System 3R tooling

Ledger for EconoRulers

Older machines

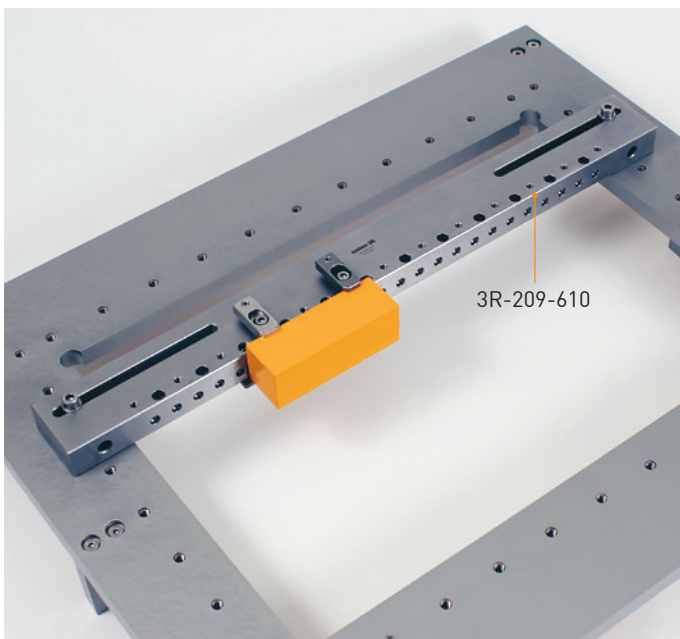


Makino

EconoRulers are supplied by kits. For more info, look for the various TPS-sheets covering the various 3R-209-xxx kits and accessories. The EconoRulers come by four different lengths: L=350, 610, 860 and 960 mm.

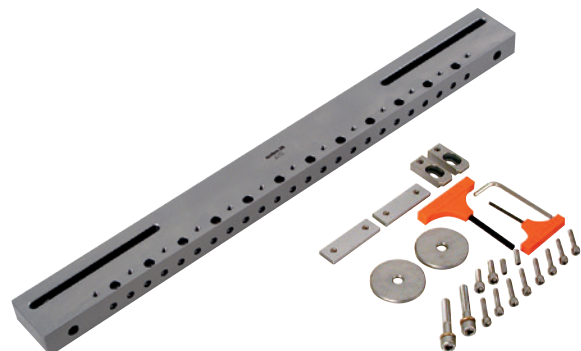
Model								
	c-c X	Table X	3R-209-xxx	Overhang X*	c-c Y	Table Y	3R-209-xxx	Overhang Y*
DUO43	550	710	610	-50	400	560	610	-60
DUO64	750	910	860	-25	500	660	610	80
EU43	550	730	610	-60	400	580	610	N.a.
EU64	700	920	860	-30	-	610	N.a.	-50
SP43 (Japan, yr 2005-)	550	730	610	-60	400	580	610	N.a.
SP43 (US, yr 2005-)	570	730	610	-60	420	500	610	80
SP64 (yr 2005-)	750	930	860	-35	500	680	610	N.a.
U32 (Square)	470	630	610	-10	370	450	610	30
U32 (U-shape)	470	630	610	-10	-	460	N.a.	N.a.
U32i (Square)	470	630	610	-10	370	450	610	30
U32i (U-shape)	470	630	610	-10	-	460	N.a.	N.a.
U53 (Square)	620	780	860	40	470	550	610	N.a.
U53 (U-shape)	620	780	860	40	-	560	N.a.	N.a.
U53i (Square)	620	780	860	40	470	550	610	-60
U53i (U-shape)	620	780	860	40	-	560	N.a.	80
WB32B (Square)	470	630	610	-10	370	450	610	N.a.
WB32B (U-shape)	470	630	610	-10	-	460	N.a.	30
WB53B (Square)	650	810	860	25	470	550	610	N.a.
WB53B (U-shape)	650	810	860	25	-	560	N.a.	80

* Overhang means a stick-out of EconoRuler that may collide with tankwall (only valid if value is positive and box is colored orange). In order to solve this risk of collision, it may require the EconoRuler to be cut off.



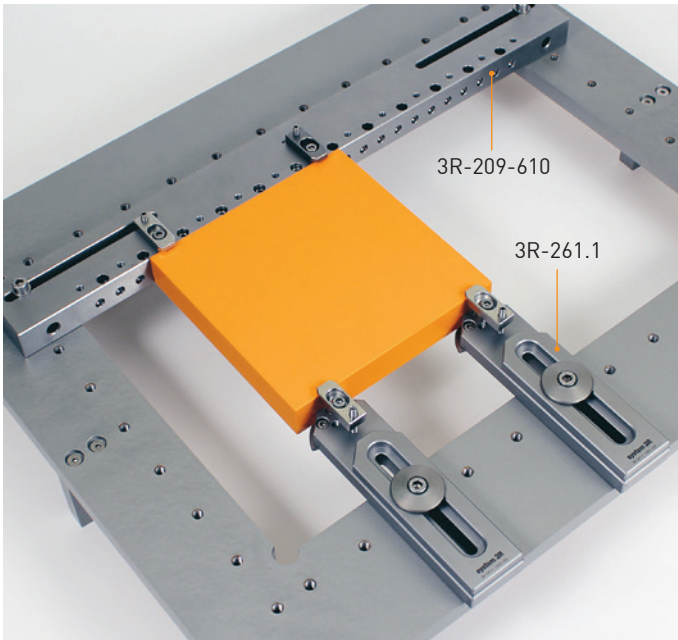
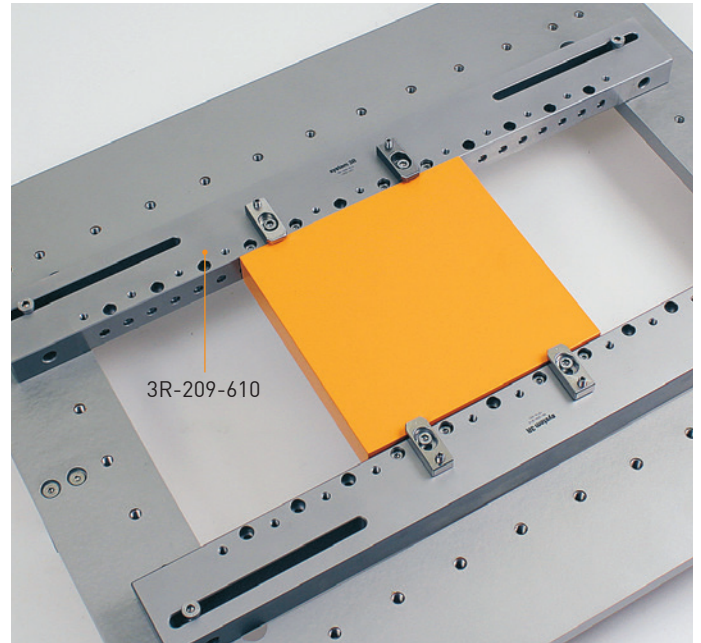
EconoRuler kit, 3R-209-XXX.1

Note: There are four different kits to choose between. 350 mm, 610 mm, 860 mm or 960 mm EconoRuler length.



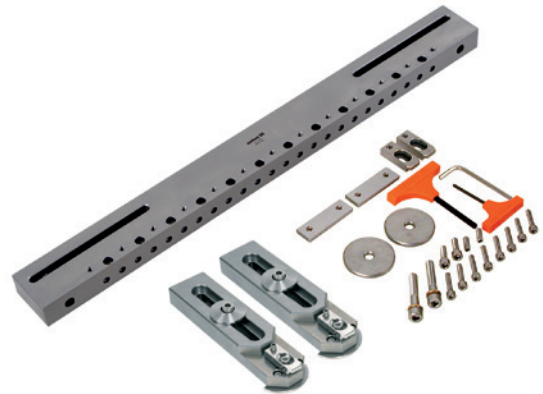
EconoRuler kit, 3R-209-XXX.2

Note: There are four different kits to choose between.
350 mm, 610 mm, 860 mm or 960 mm EconoRuler length.



EconoRuler kit, 3R-209-XXX.3

Note: There are four different kits to choose between.
350 mm, 610 mm, 860 mm or 960 mm EconoRuler length.



EconoRuler kit, 3R-209-XXX.4

Note: There are four different kits to choose between.
350 mm, 610 mm, 860 mm or 960 mm EconoRuler length.

