

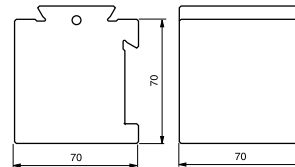
Adapter elements

Adapter elements allow machining of complex geometries, even if the machine is not the very latest model. The range includes products for swivelling or height adjustment, as well as plain spacer elements.

Adapter 90°, WEDM, 3R-201J

Basic element for 3D accessories.

- Fits on all System 3R basic element
- Tightening torque 7 Nm
- Weight 2.7 kg.

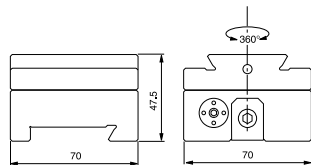


Swivelling element 360°, WEDM, 3R-203

Hydraulic locking of set position.

Note: For angle setting, 3R-216 is recommended.

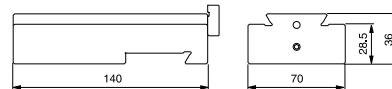
- Can be mounted on 3R-204 or directly on 3R-201J
- Tightening torque 7 Nm
- Weight 1.5 kg.



Height adapter, WEDM, 3R-204

Can be turned upwards or downwards when mounting on 3R-201J.

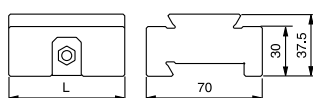
- Height adjustment ± 65 mm
- Tightening torque 7 Nm
- Weight 1.9 kg.



Spacer element 30 mm, WEDM

Used where vertical or horizontal displacement of workpiece or accessory is necessary.

- Tightening torque 7 Nm.

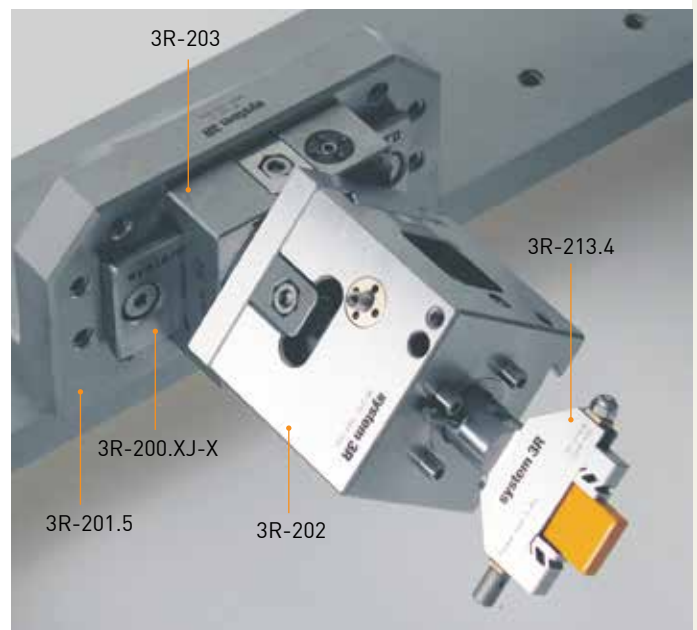


3R-223

- Length 70 mm.

3R-223.3

- Length 140 mm.



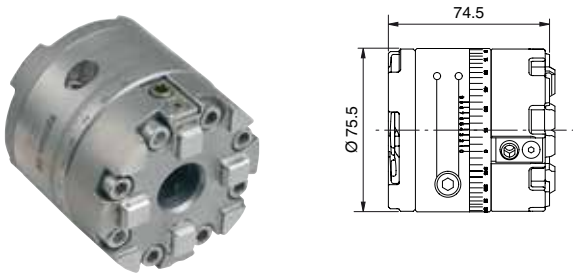
Adapter elements

Swivelling element 360°, Macro, 3R-203.66

Swivelling element with manual Macro chuck to be mounted onto a Macro chuck. Mechanical locking of the set position. Vernier scale for quick setting in 0.1-degree steps.

Note: For angle setting sine ruler 3R-216.6 and gauge block are recommended.

- Maximal hanging torque 8 Nm
- Required drawbar 3R-605.2RS
- Weight 2 kg.



Swivelling element 360°, Macro, 90937

Swivelling element with manual Macro chuck to be mounted onto leveling heads. Mechanical locking of the set position. Vernier scale for quick setting in 0.1-degree steps.

Note: For angle setting sine ruler 3R-216.6 and gauge block are recommended.

- Maximal hanging torque 8 Nm
- Required drawbar 3R-605.2RS
- Weight 3.1 kg.



Swivelling element 360° with encoder, D-30232

Swivelling element with manual Macro chuck. Display included.

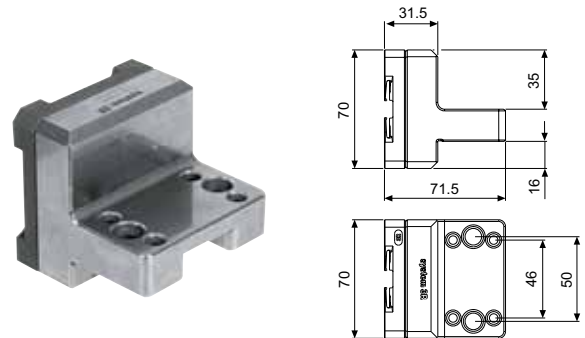
- Maximal hanging torque 8 Nm
- Locking of chuck 6 Nm
- Locking of swivel 6 Nm
- Required drawbar 3R-605.2RS
- Weight 2.2 kg.



Vertical fixed adapter, Macro, 3R-226.6

For horizontal clamping SuperVice and holders in vertical Macro chucks.

- Weight 1.4 kg.



Vertical levelling adapter, Macro, 3R-262.6

For horizontal mounting of SuperVice and holders in vertical Macro chucks.

- Adjustable in three axes
- Weight 1.5 kg.

