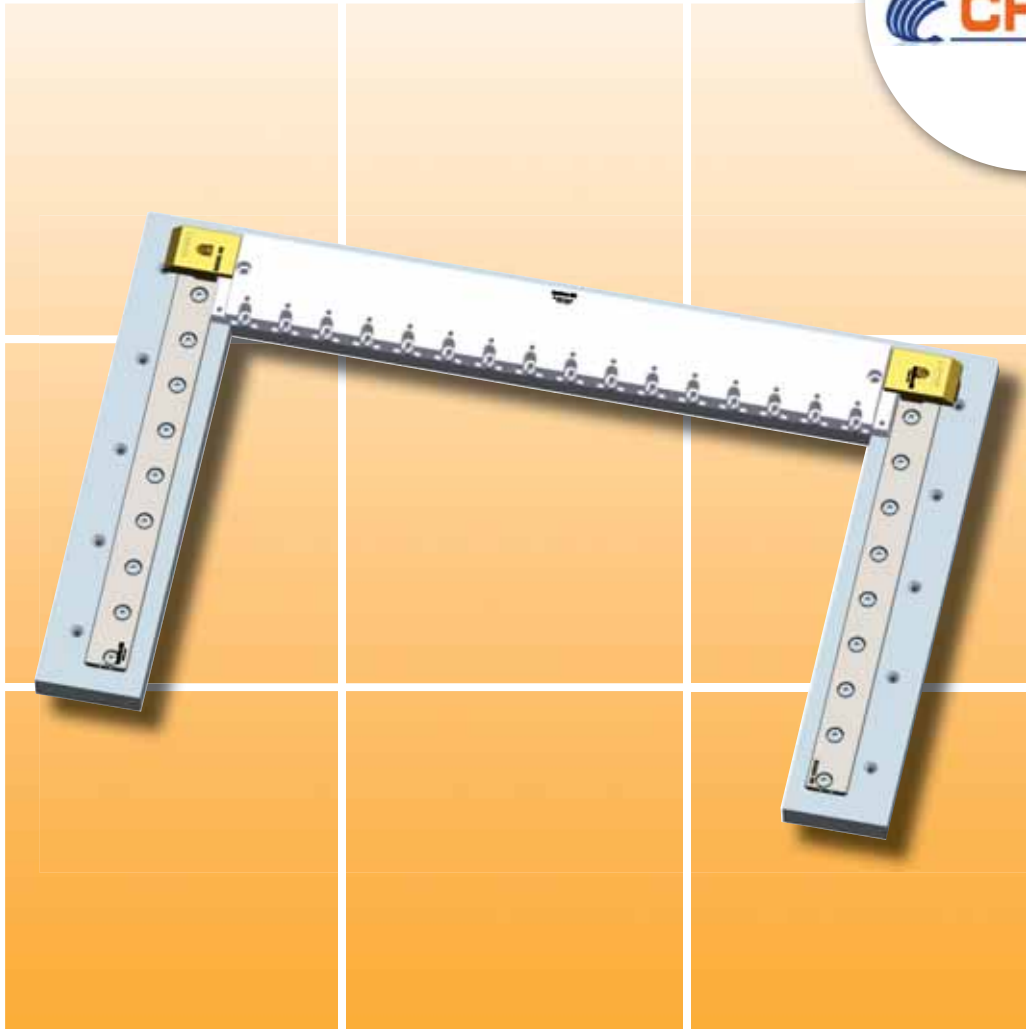


Chmer Wire EDM's & System 3R tooling



Machine table layout

CONTENTS

Chmer 320, horizontal clamping	page 2
Chmer A422S, horizontal clamping	page 3
Chmer A422S, horizontal clamping (Econo)	page 4
Chmer CW64, horizontal clamping	page 5
Chmer CW430F, horizontal clamping	page 6
Chmer CW430I, horizontal clamping	page 7
Chmer CW430W, horizontal clamping.....	page 8
Chmer CW432S, horizontal clamping.....	page 9
Chmer CW643S, horizontal clamping.....	page 10
Chmer CW743, horizontal clamping	page 11
Chmer GX320L, horizontal clamping.....	page 12
Chmer GX430L, horizontal clamping.....	page 13
Chmer GX530L, horizontal clamping.....	page 14
Chmer GX640L, horizontal clamping.....	page 15

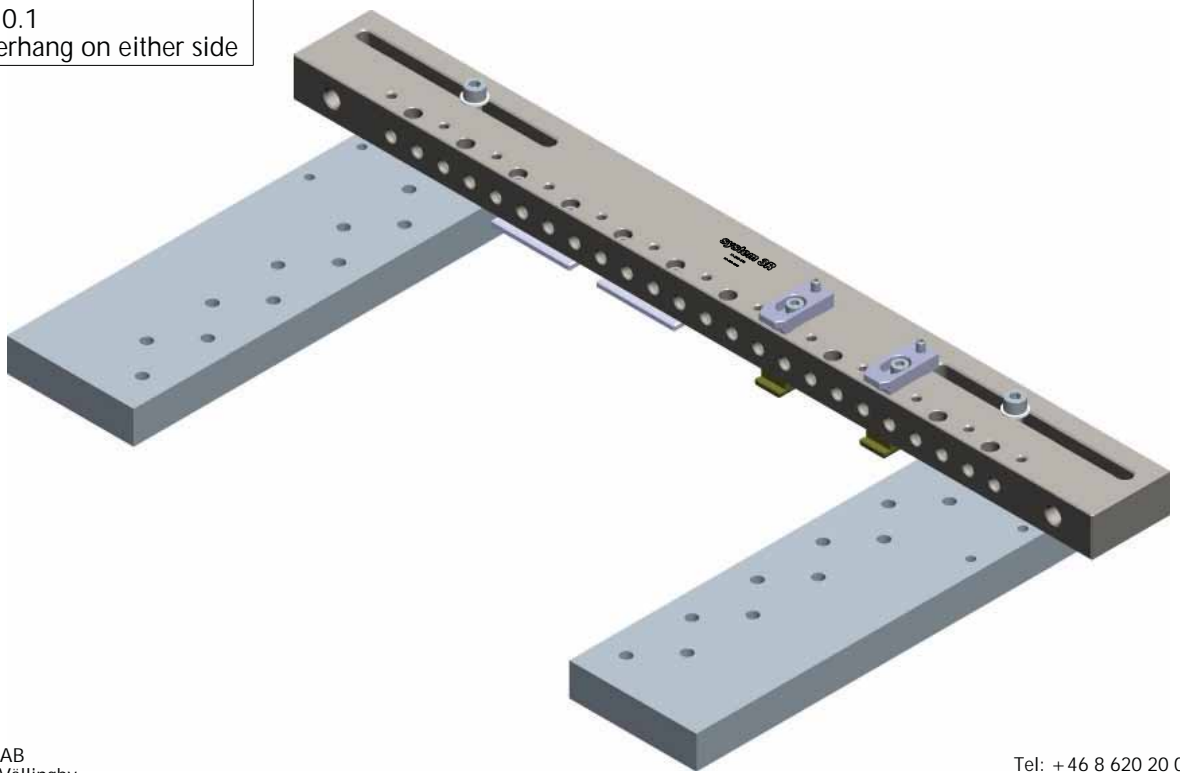
system 3R

MIC2697 Chmer 320

Date: 2010-04-13

Ruler: 3R-209-610.1

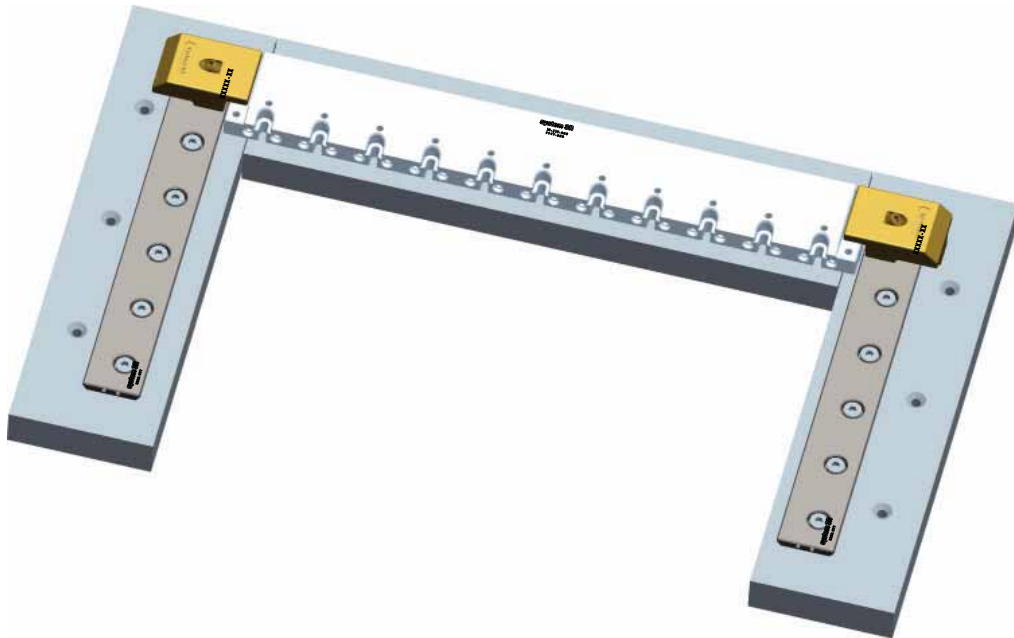
Note: 42 mm overhang on either side



System 3R International AB
Sortergatan 1, 162 50 Vällingby
Sweden

Tel: +46 8 620 20 00
Fax: +46 8 384516
www.system3r.com

CHMER A422S Horizontal
Ruler 3R-239-455
Reference elements 3R-200.29J-2



SCALE 27:100

Chmer A422S EconRuler
EconoRuler 3R-209-610
Note: 17 mm overhang on both side.

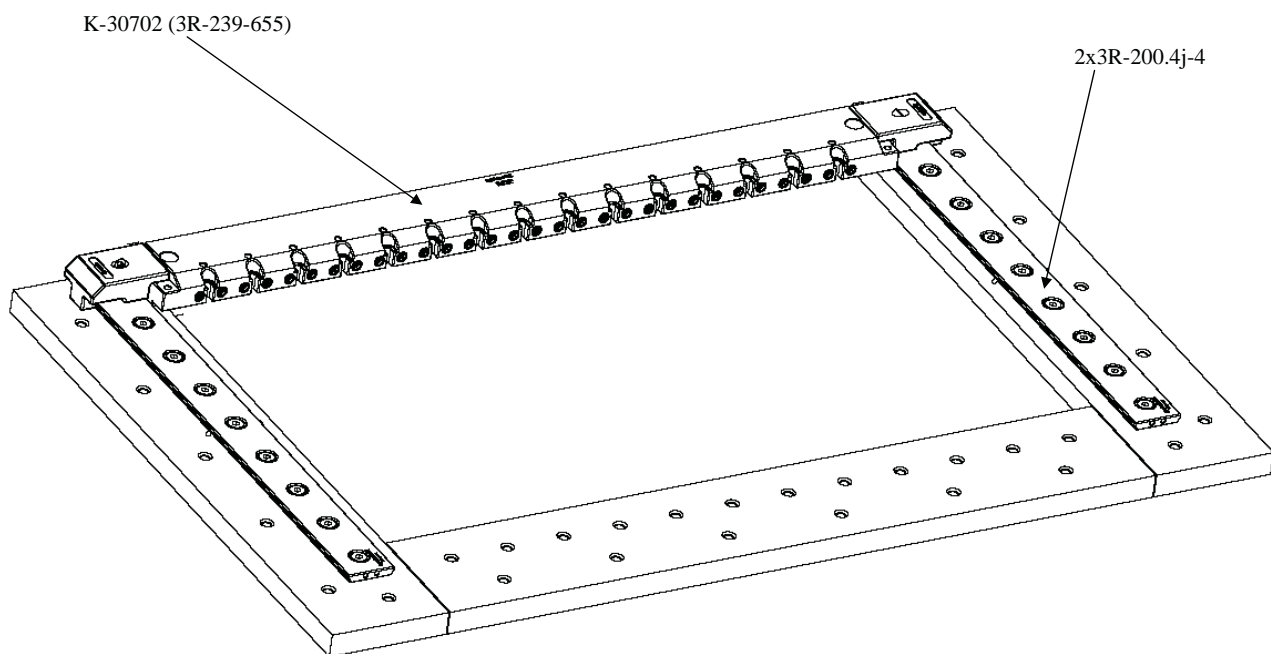


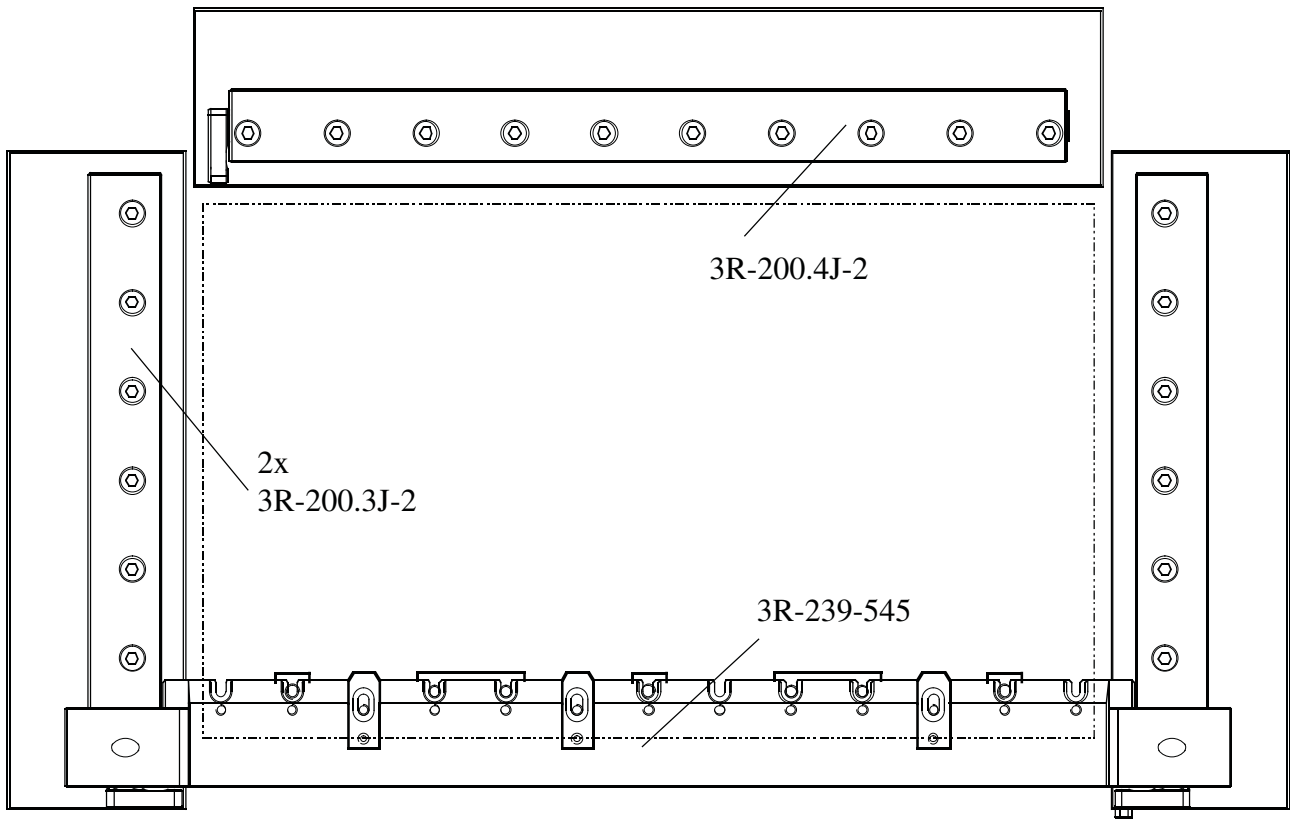
SCALE 3:10

Chmer CW 64

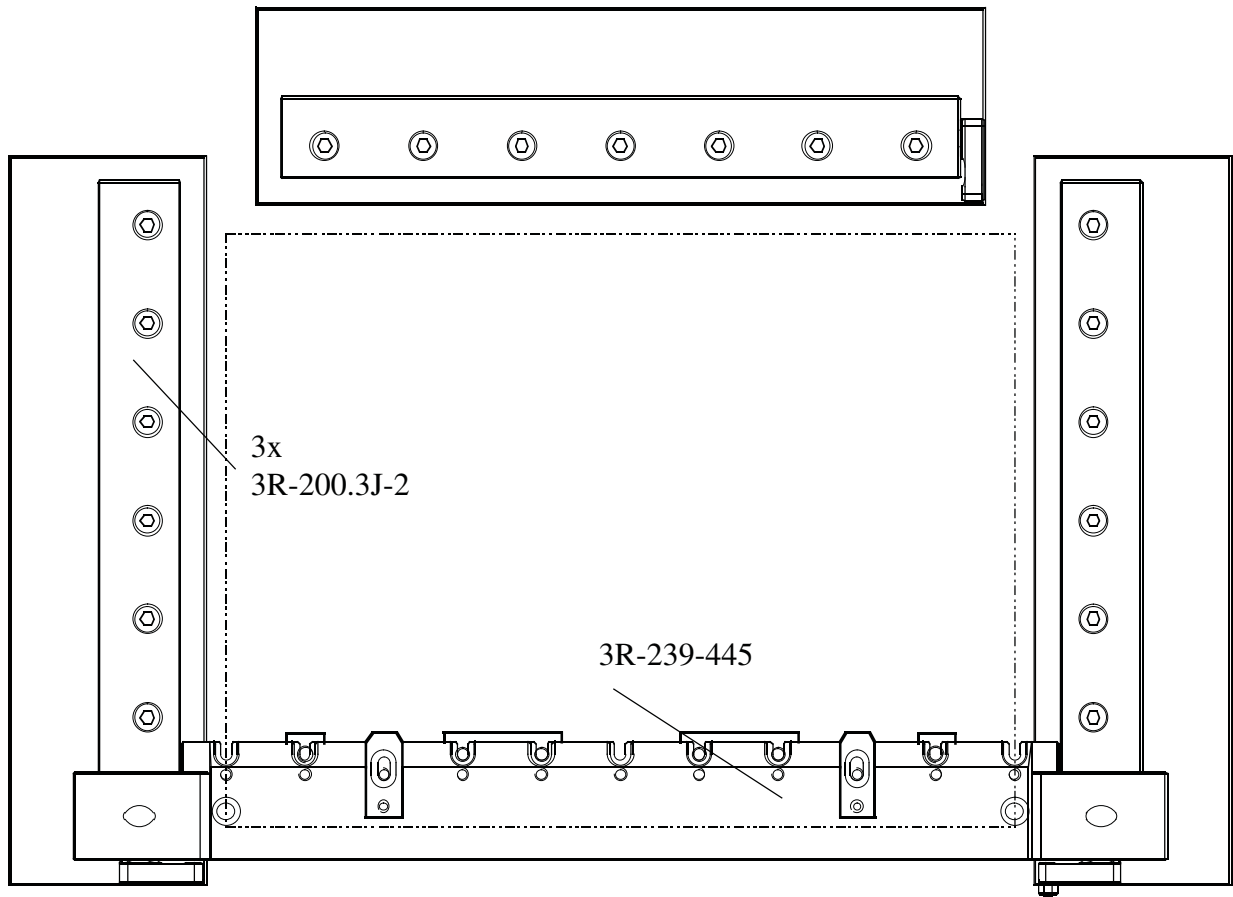
MIC 2596 2007 10

Subject to modifications

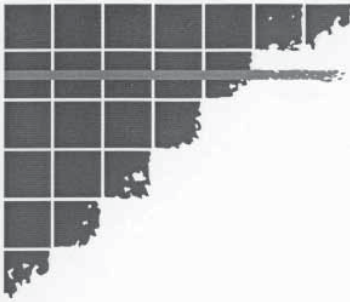




3R-200.3J-2	Reference element 345 mm, pitch 50 mm, (30 mm from the table edge).	3R-200.3J-2	Referenz Element 345 mm, Lochabstand 50 mm, (30 mm von der Tischkante).
3R-200.4J-2	Reference element 470 mm, pitch 50 mm, (30 mm from the table edge).	3R-200.4J-2	Referenz Element 470 mm, Lochabstand 50 mm, (30 mm von der Tischkante).
3R-239-545	3Ruler 545x60x30 mm, complete with holders, supports and clamping details.	3R-239-545	3R Lineal 545x60x30 mm, komplett mit Haltern, Anschlügen und Klemmteilen
3R-200.3J-2	Elément de référence 345 mm, distance des trous 50 mm, (distance du bord de la table 30 mm).	3R-200.3J-2	Base a coda di rondine 345 mm passo dei fori 50 mm, (distanza dal bordo del tavolo 30 mm).
3R-200.4J-2	Elément de référence 470 mm, distance des trous 50 mm, (distance du bord de la table 30 mm).	3R-200.4J-2	Base a coda di rondine 470 mm passo dei fori 50 mm, (distanza dal bordo del tavolo 30 mm).
3R-239-545	3Règle 545x60x30 mm, règle complète avec butées, supports et details de serrage.	3R-239-545	3Riga 545x60x30 mm, completo con riscontri, supporti e dettagli di fissaggio.



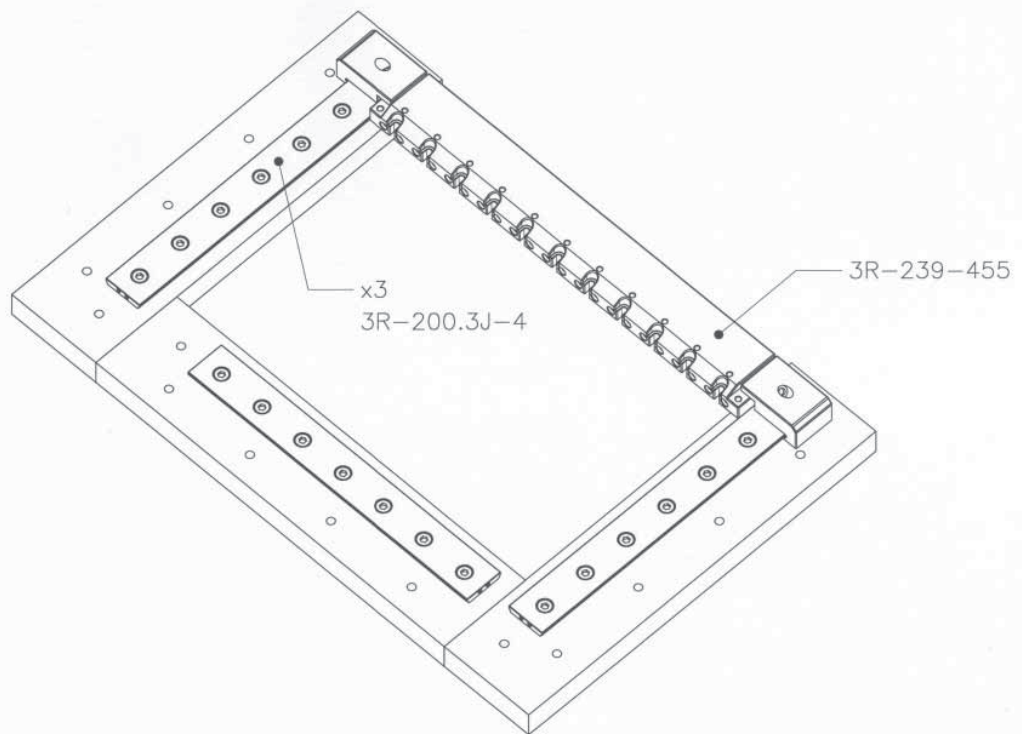
3R-200.3J-2	Reference element 345 mm, pitch 50 mm, (30 mm from the table edge).	3R-200.3J-2	Referenz Element 345 mm, Lochabstand 50 mm, (30 mm von der Tischkante).
3R-239-445	3Ruler 445x60x30 mm, complete with holders, supports and clamping details.	3R-239-445	3R Lineal 445x60x30 mm, komplett mit Haltern, Anschlügen und Klemmteilen
3R-200.3J-2	Elément de référence 345 mm, distance des trous 50 mm, (distance du bord de la table 30 mm).	3R-200.3J-2	Base a coda di rondine 345 mm passo dei fori 50 mm, (distanza dal bordo del tavolo 30 mm).
3R-239-445	3Règle 445x60x30 mm, règle complète avec butées, supports et details de serrage.	3R-239-445	3Riga 445x60x30 mm, completo con riscontri, supporti e dettagli di fissaggio.



system 3R

MIC 2535 2002-06
Subject to modifications.

3R Concept WEDMing
in CHMER CW 432 S



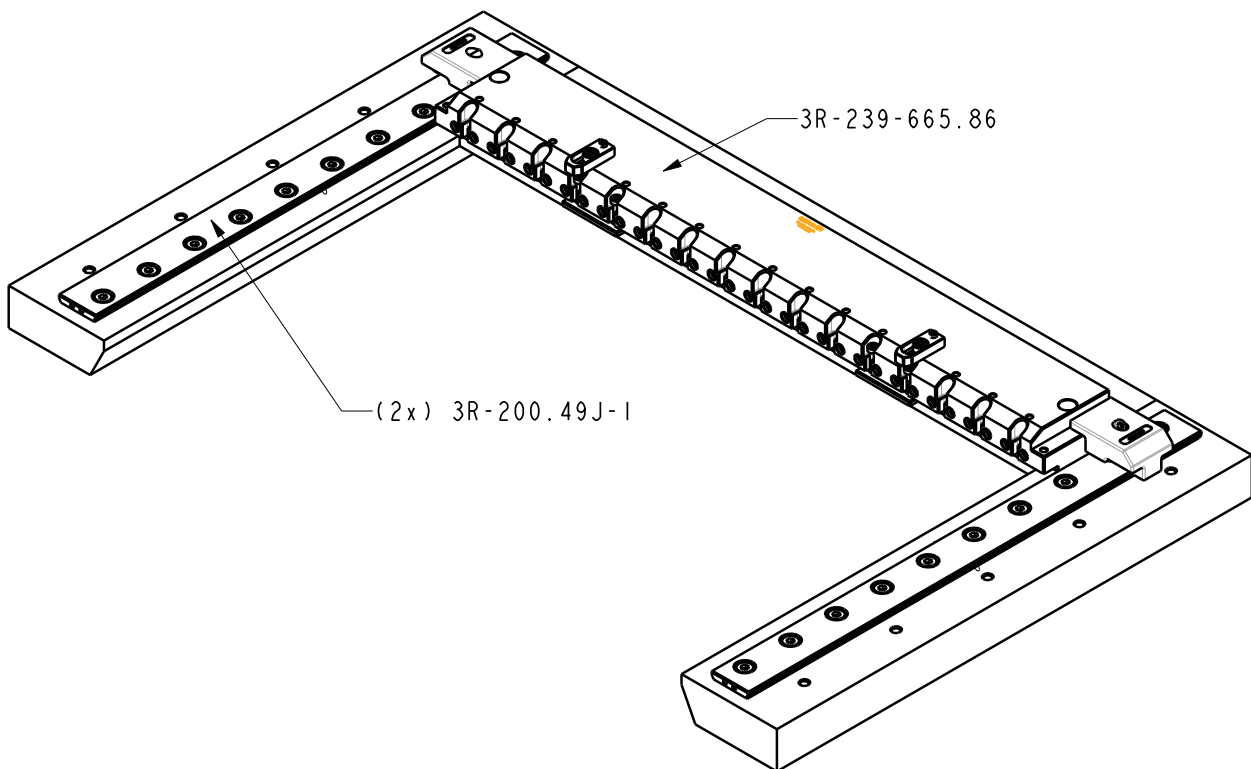
System 3R International AB
Sorterargatan 1, 162 50 Vällingby

Tel: +46 8 620 00 00
Fax: +46 8 384516

homepage: www.system3r.com
<http://www.system3r.se>

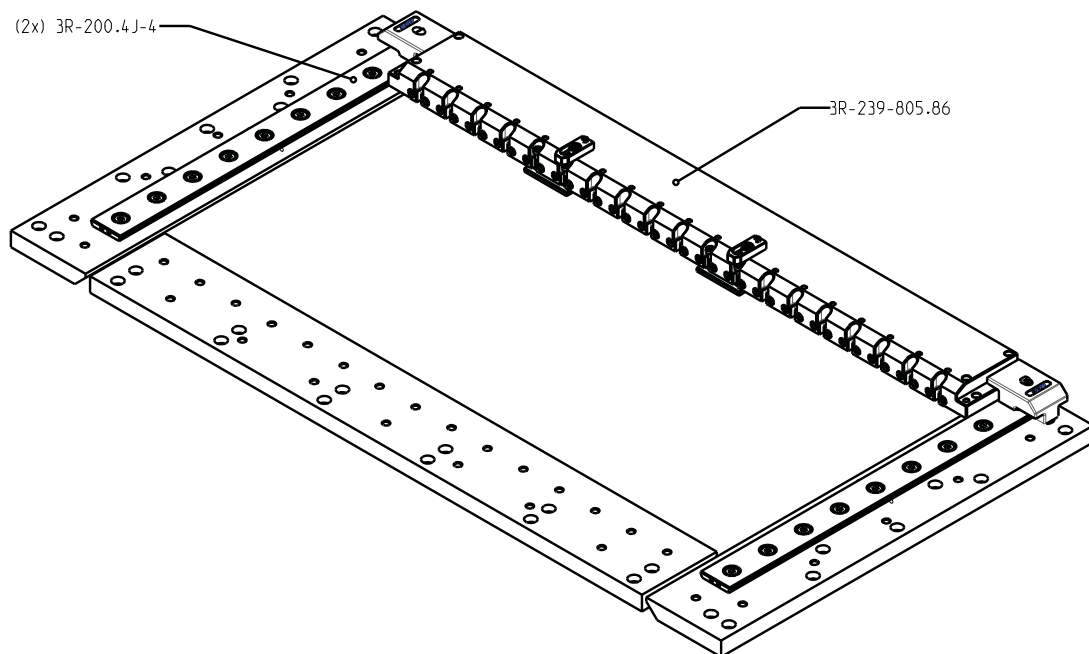
Chmer CW643S

Mic 2538 2006-03
Subject to modifications



CHMER CW-743

MIC 2537 2003-11
Subject to modifications



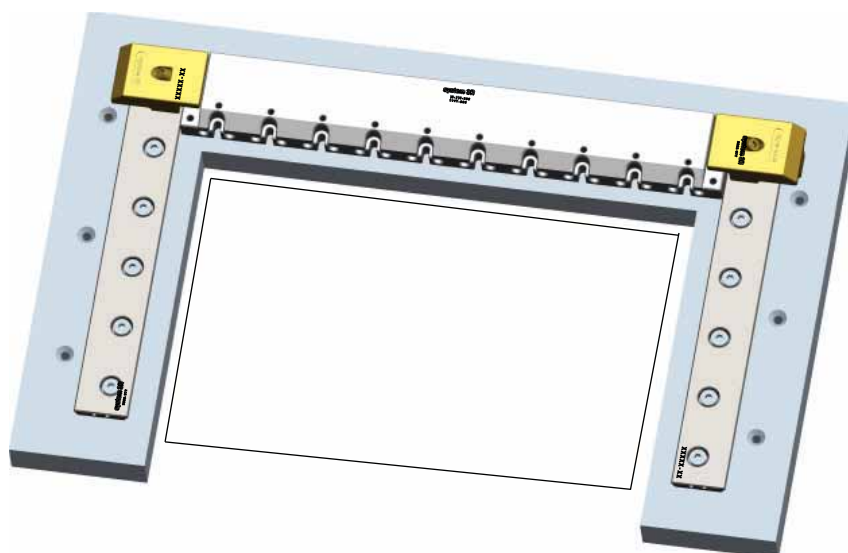
system 3R

CHMER GX320L

3R-200.29J-2 Reference elemets

3R-239-415 Ruler

Note: Working area 360 x 250, working with 2 rulers some working area will be lost.

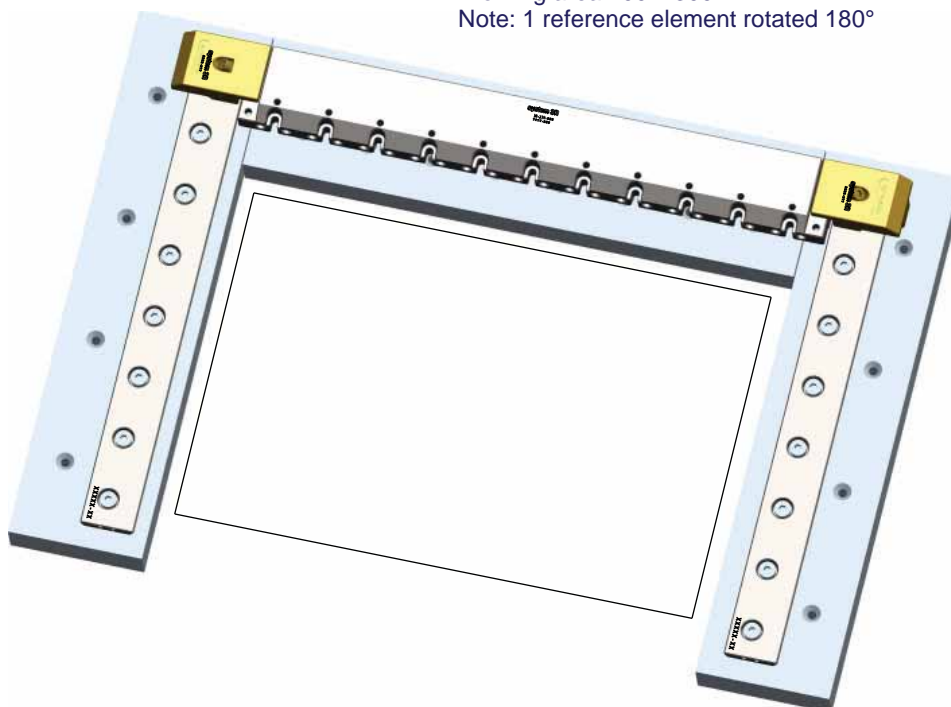


SCALE 1:4

System 3R International AB
Sorterargatan 1, 162 50 Vällingby
Sweden

Tel: +46 8 620 20 00
Fax: +46 8 384516
www.system3r.com

CHMER GX430L
3R-200.39J-2 Reference elements
3R-239-455 Ruler
Working area 400 x 300
Note: 1 reference element rotated 180°

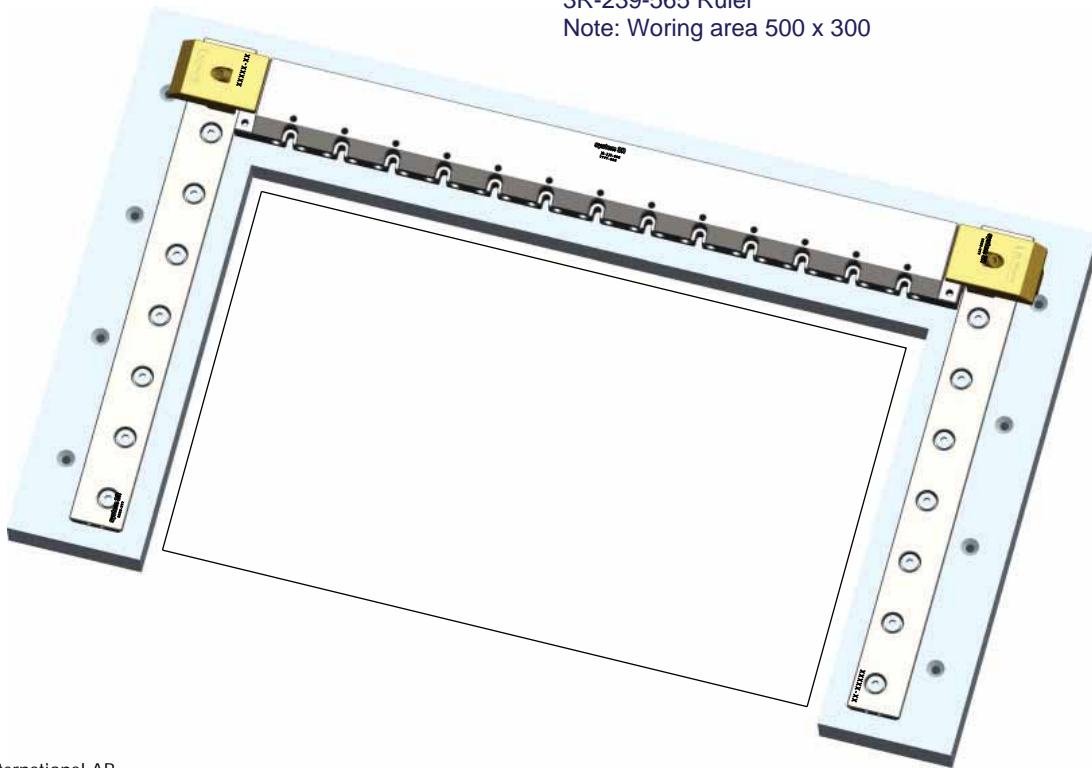


System 3R International AB
Sorterargatan 1, 162 50 Vällingby
Sweden

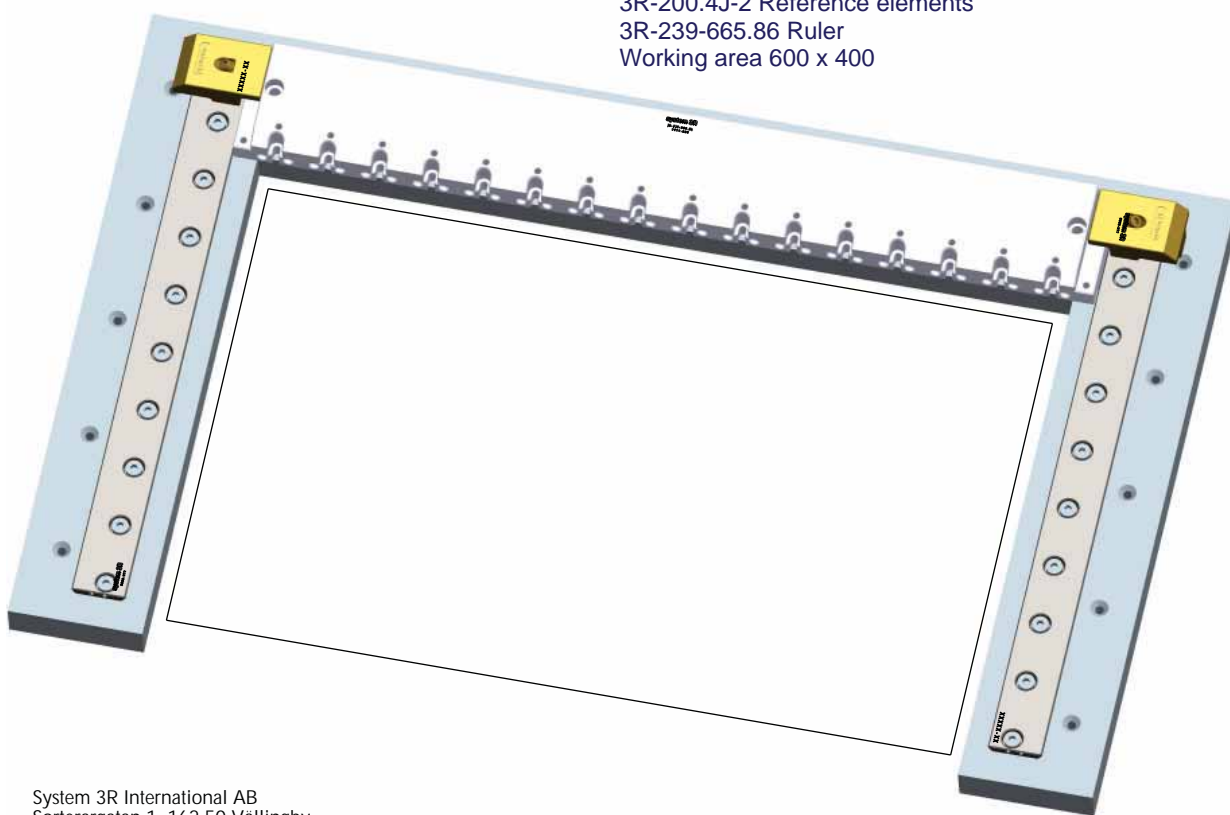
SCALE 1:4

Tel: +46 8 620 20 00
Fax: +46 8 384516
www.system3r.com

CHMER GX530L
3R-200.39J-2 Reference elements
3R-239-565 Ruler
Note: Working area 500 x 300



CHMER GX640L
3R-200.4J-2 Reference elements
3R-239-665.86 Ruler
Working area 600 x 400



System 3R International AB
Sorterargatan 1, 162 50 Vällingby
Sweden

SCALE 1:4

Tel: +46 8 620 20 00
Fax: +46 8 384516
www.system3r.com

System 3R International AB

Sorterargatan 1, SE-162 50 VÄLLINGBY

tel +46-08 620 20 00, fax +46-08 759 52 34, e-mail: info@system3r.com, www.system3r.com

ASIA

Far East, China & India
System 3R Far East Pte.Ltd.
6 Harper Road
Leong Huat Building, 01-01
SINGAPORE SG-369 674
tel +65-6289 4811
fax +65-6289 3011
e-mail: info.sg@system3r.com

Shanghai Contact Office
tel +86-21 6432 7927
fax +86-21 6432 7928
e-mail: info.cn@system3r.com

Beijing Contact Office
tel +86-10 8225 1632
fax +86-10 8225 1635

Guangdong Contact Office
tel +86-769 8162 0628
fax +86-769 8162 0638

Malaysia Contact Office
tel +60-03 7877 4785
fax +60-03 7877 5948

Taiwan Regional Office
tel +886-02 2278 3126
fax +886-02 2278 3108

Japan & Korea
System 3R Japan CO., Ltd.
Kaki Building
2-5-22, Suido, Bunkyo-ku
TOKYO JP-112-0005
tel +81-03 5840-7383
fax +81-03 5840-8723
e-mail: info.jp@system3r.com

Nagoya Regional Office
tel +81-052 774 6250
fax +81-052 774 6285

EUROPE

System 3R Europe GmbH
Wasserweg 19
DE-64521, GROSS-GERAU
tel +49 61 52 80 02 0
fax +49 61 52 80 02 35
e-mail: info.eu@system3r.com

Czech Republic & Slovakia
System 3R Czech
Tiskarska 10/257
CZ-108 28 PRAHA 10
tel +420 234 054 224
fax +420 234 054 225
e-mail: info@system3r.cz

France & Portugal
System 3R France
56 Boulevard de Courcier
Les Espaces Multiservices 15
F-77183 CROISSY BEAUBURG
tel +33-01 60 95 90 80
fax +33-01 60 37 88 16
e-mail: info.fr@system3r.com

Germany & BeNeLux
System 3R Deutschland
Wasserweg 19
DE-64521, GROSS-GERAU
tel +49 61 52 80 02 0
fax +49 61 52 80 02 35
e-mail: info.de@system3r.com

Italy & Spain
System 3R Italia
Via Ponchielli, 2/4
IT-20063 CERNUSCO SUL NAVIGLIO (MI)
tel +39 02 92 38 821
fax +39 02 92 11 23 19
e-mail: info.it@system3r.com

Scandinavia
System 3R Nordic
Sorterargatan 1
SE-162 50 VÄLLINGBY
tel +46-08 620 20 00
fax +46-08 759 52 34
e-mail: info.no@system3r.com

Järfälla Hårdverkstad
Elektronikhöjden 8
SE-175 43 JÄRFÄLLA
tel +46-08 580 125 50
fax +46-08 580 126 55
e-mail: info@jhv.se

Switzerland & Austria
System 3R Schweiz AG
Wilerstrasse 98
CH-9230 FLAWIL
tel +41-071 394 13 50
fax +41-071 394 13 60
e-mail: info.ch@system3r.com

Turkey
System 3R Türkiye
Abdi İpekçi Cad. Özel İdare İş Merk 150/209
Bayrampasa 34030 İSTANBUL
tel +90-212 613 8062-8063
fax +90-212 613 8069
e-mail: info.tu@system3r.com

United Kingdom
System 3R UK
Paradise Way
Walsgrave Triangle
Coventry, West Midlands
CV2 2ST, United Kingdom
tel +44-02476 538653
fax +44-02476 538695
e-mail: info.uk@system3r.com

AMERICAS

System 3R USA Inc.
Headquarters & Technical Center
915 Busse Road
ELK GROVE VILLAGE, US-IL 60007
tel +1 847 439 4888
fax +1 847 439 5099
e-mail: info.us@system3r.com

Canada & MI
mobile +1 519 870 8339
fax +1 847 439 5099
e-mail: info.us1@system3r.com

*AZ, CA, CO, ID, MT, NM, NV, OR, UT,
WA, WY & Mexico*
mobile +1 714 299 4923
fax +1 847 439 5099
e-mail: info.us2@system3r.com

IA, MN, ND, NE, SD & Western WI
mobile +1 612 963 6904
fax +1 847 439 5099
e-mail: info.us3@system3r.com

*AR, IN, KY, OH, TN, MO, KS, OK &
Southern IL*
mobile +1 317 694 7508
fax +1 847 439 5099
e-mail: info.us4@system3r.com

AL, FL, GA, LA, MS, NC, SC & TX
mobile +1 813 326 0125
fax +1 847 439 5099
e-mail: info.us5@system3r.com

Nothern IL & Eastern WI
mobile +1 847 400 6073
fax +1 847 439 5099
e-mail: info.us6@system3r.com

NJ, NY & PA
mobile +1 201 248 3885
fax +1 847 439 5099
e-mail: info.us7@system3r.com

*CT, DC, DE, MA, MD, ME, NH, RI, VA, VT
& WV*
mobile +1 201 214 7088
fax +1 847 439 5099
e-mail: info.us8@system3r.com

For further information, see
www.system3r.com