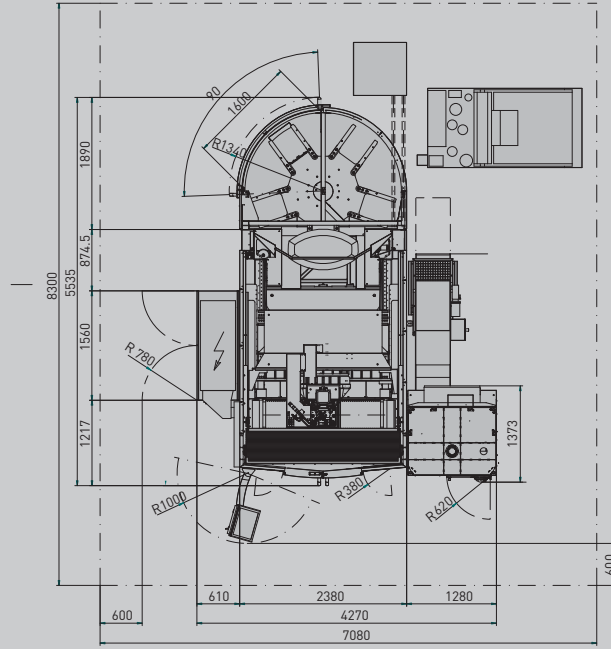
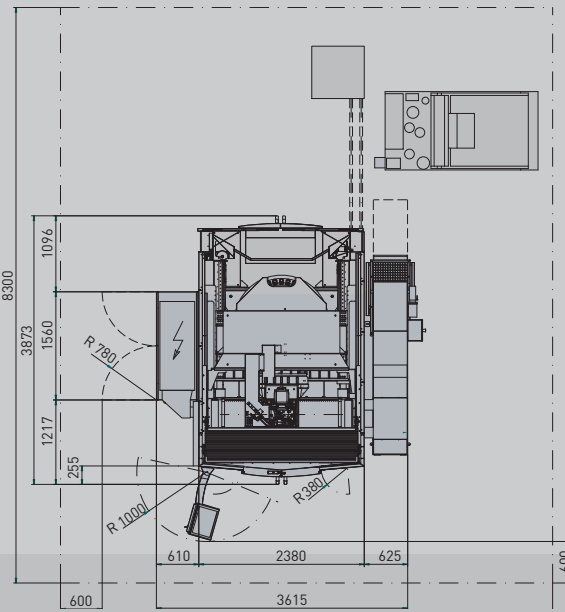


# MIKRON HPM 1000U



## Technical data

### MIKRON HPM 1000U

#### MIKRON HPM 1000U

##### Working Range

Longitudinal, X	mm	1000
Transverse, Y	mm	800
Vertical, Z	mm	600

##### Spindle (40% ED, S6)

20'000 rpm, HSK-A63	kW / Nm	66 / 198
28'000 rpm, HSK-A63	kW / Nm	60 / 75

##### Feed Drives

Feed drive / Rapid traverse [X, Y, Z]	m/min	20 / 60
---------------------------------------	-------	---------

##### Tool changer

Integral	pce.	40
External	pce.	115, 165 oder 210

##### Work Table

Swivelling axis, A	°	+ 30 / -120
Tilting axis, C	°	n x 360
Table diameter	mm	Ø 800 x 630
Maximum table load (5-Ax)	kg	800
Pallets (DIN)	mm	500 x 500 / 500 x 630

##### Pallet changer

Pallet size	pce.	5 for pallet 500 x 630 (überspannbar)
	pce.	6 for pallet 500 x 630 (nicht überspannbar)
	pce.	7 for pallet 500 x 500 (nicht überspannbar)

Control	CNC	Heidenhain iTNC 530
---------	-----	---------------------

Machine Weight	kg	16,500
----------------	----	--------

smart machine Module		<a href="http://www.gfac.com">www.gfac.com</a>
----------------------	--	--