

Technical data

MIKRON HEM 500U

MIKRON HEM 500U

Working Range

Logitudinal	X	mm	500
Transverse	Y	mm	450
Vertical	Z	mm	400

Rotary Tilting Table

Tilt	B	°	-65 / +110
Rotary	C	°	n x 360
Feed / Rapid speed	(B)	rpm	17
Feed / Rapid speed	(C)	rpm	28
Table size		mm	Ø 500, with parallel t-slot arrang.
Pallet versions		mm	System 3R Dynafix 350 x 350 Erowa UPC 320 x 320
Max. weight on table		kg	200 (3+2 machining)
Pallet Magazine		pce.	7 (Dynafix, UPC), 5 (MTS)

Feed Drives

Feed / Rapid speed	(X, Y, Z)	m/min	30
--------------------	-----------	-------	----

Spindle (40% ED, S6)

12'000 rpm, ISO / BT 40		kW / Nm	20 / 75
-------------------------	--	---------	---------

Tool Changer

Internal Tool Changer		pce.	30 (ISO / BT 40)
Internal Tool Changer		pce.	60 (ISO / BT 40)

Control

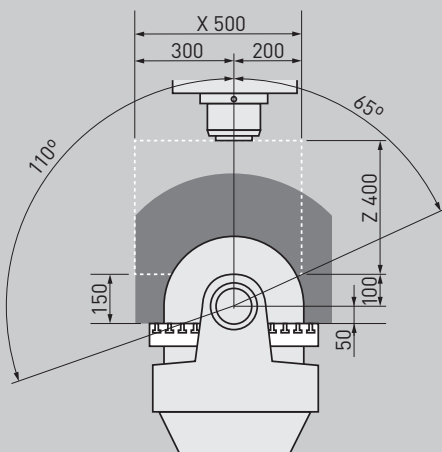
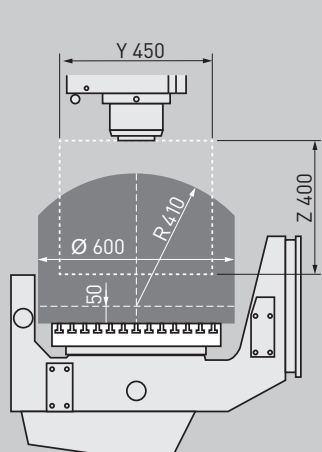
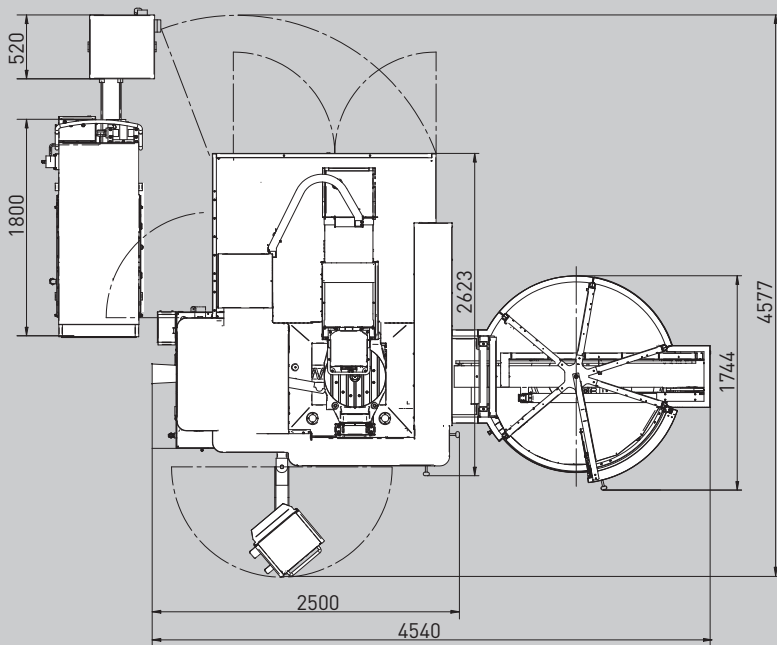
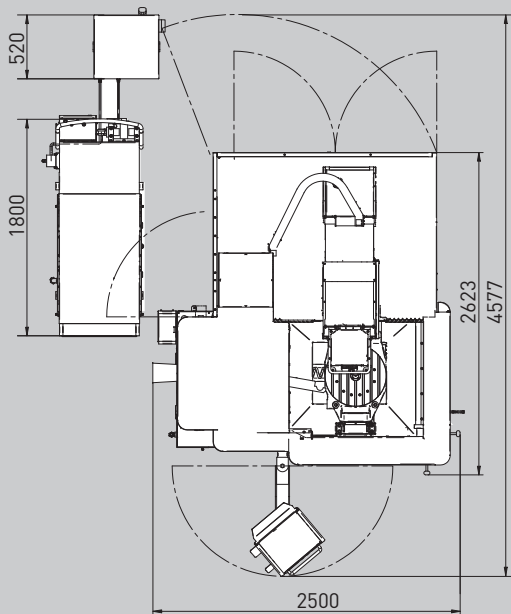
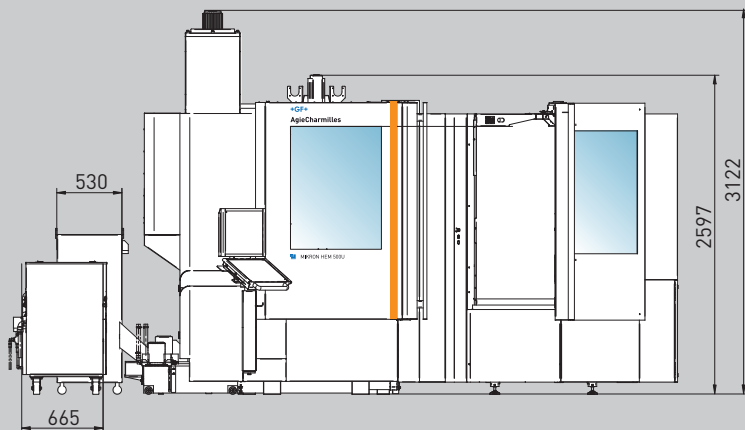
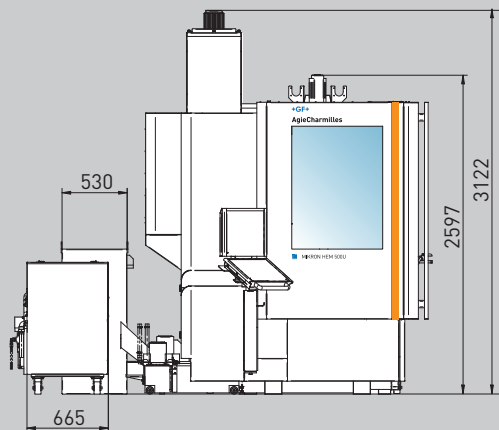
	Heidenhain	iTNC 530
--	------------	----------

Machine Weight

	kg	5'700
--	----	-------

smart machine Module

www.gfac.com



CE Our constructions are continuously adapted to meet the current requirements. Alterations can be made at any time. The information in this print is non-binding.