

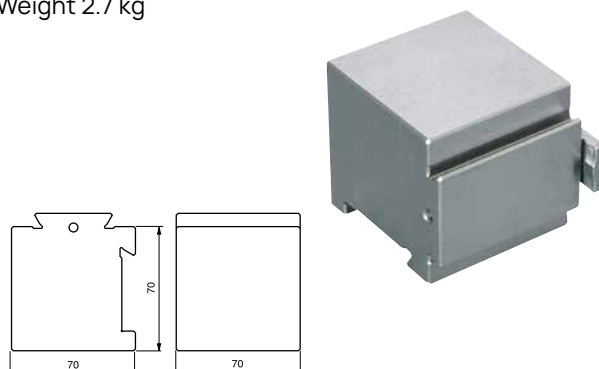
Adapter elements

Adapter elements facilitate machining of complex geometries, even if the machine is not the very latest model. The range includes products for: swivelling or height adjustment; and, plain spacer elements.

Adapter 90°, WEDM, 3R-201J

Basic element for 3D accessories.

- Fits on all System 3R basic elements.
- Tightening torque 7 Nm
- Weight 2.7 kg

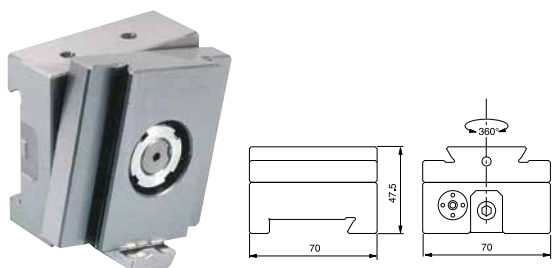


Swivelling element 360°, WEDM, 3R-203

Hydraulic locking of set position.

NOTE: For angle setting, 3R-216 is recommended.

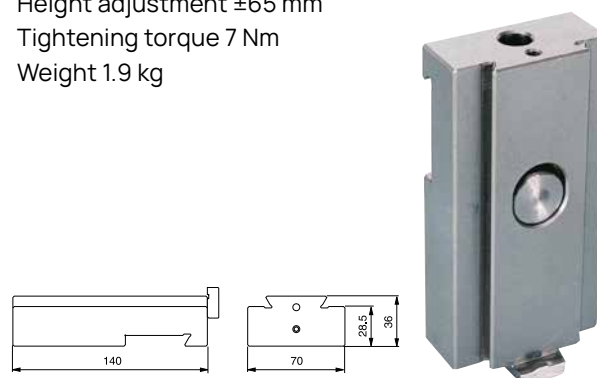
- Can be mounted on 3R-204 or directly on 3R-201J
- Tightening torque 7 Nm
- Weight 1.5 kg



Height adapter, WEDM, 3R-204

Can be turned upwards or downwards when mounting on 3R-201J.

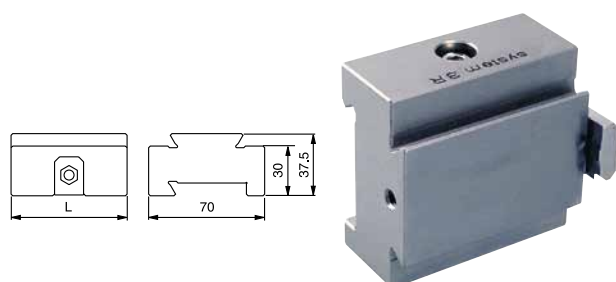
- Height adjustment ± 65 mm
- Tightening torque 7 Nm
- Weight 1.9 kg



Spacer element 30 mm, WEDM

Used where vertical or horizontal displacement of work-piece or accessory is necessary.

- Tightening torque 7 Nm



3R-223

- Length 70 mm

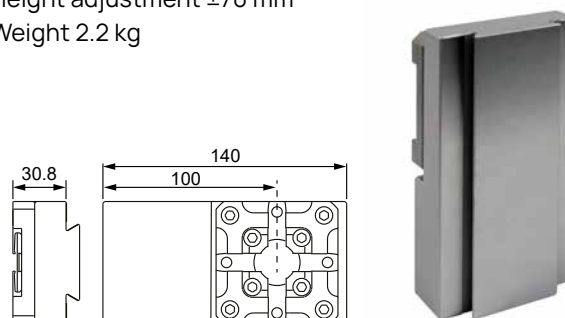
3R-223.3

- Length 140 mm

Height adapter, Macro, D-30225

Can be turned upwards or downwards when mounting on Macro chucks.

- Height adjustment ± 70 mm
- Weight 2.2 kg



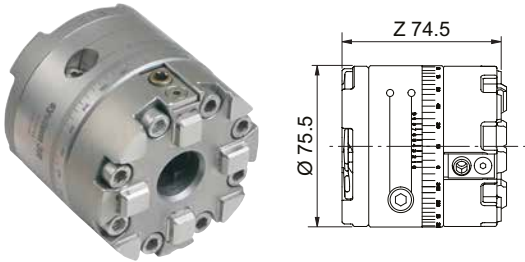
Adapter elements

Swivelling element 360°, Macro, 3R-203.66

Swivelling element with manual Macro chuck for mounting on Macro chucks. Mechanical locking of the set position. Vernier scale for quick setting in 0.1-degree steps.

NOTE: For angle setting, sine ruler 3R-216.6 and gauge block are recommended.

- Maximal hanging torque 8 Nm
- Required drawbar 3R-605.2RS
- Weight 2 kg



Swivelling element 360°, Macro, 90937

Swivelling element with manual Macro chuck for mounting on leveling heads. Mechanical locking of the set position. Vernier scale for quick setting in 0.1-degree steps.

NOTE: For angle setting sine, ruler 3R-216.6 and gauge block are recommended.

- Maximal hanging torque 8 Nm
- Required drawbar 3R-605.2RS
- Weight 3.1 kg



Swivelling element 360° with encoder, D-30232

Swivelling element with manual Macro chuck. Display included.

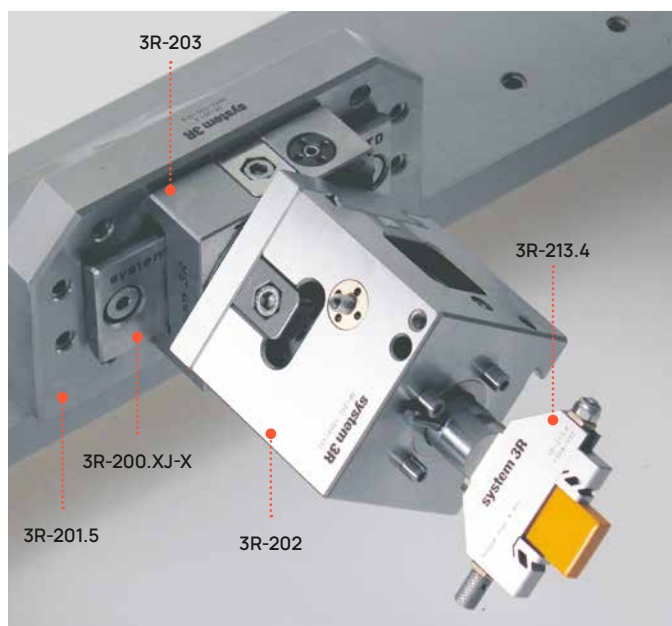
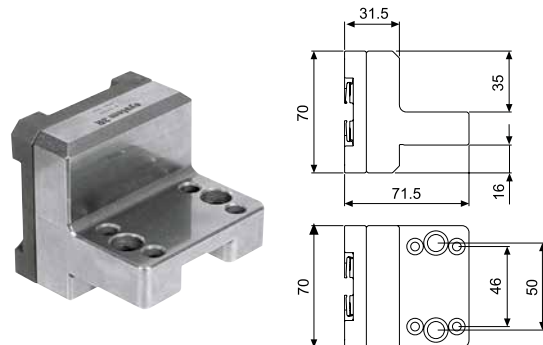
- Maximal hanging torque 8 Nm
- Locking of chuck 6 Nm
- Locking of swivel 6 Nm
- Required drawbar 3R-605.2RS
- Weight 2.2 kg



Vertical fixed adapter, Macro, 3R-226.6

For clamping SuperVice and holders horizontally in vertical Macro chucks.

- Weight 1.4 kg



Vertical levelling adapter, Macro, 3R-262.6

For clamping SuperVice and holders horizontally in vertical Macro chucks.

- Adjustable in three axes
- Weight 1.5 kg

