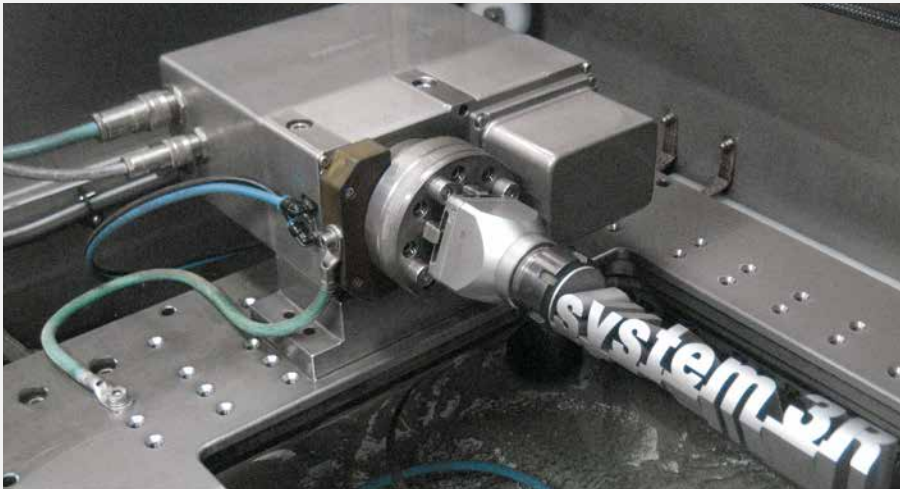


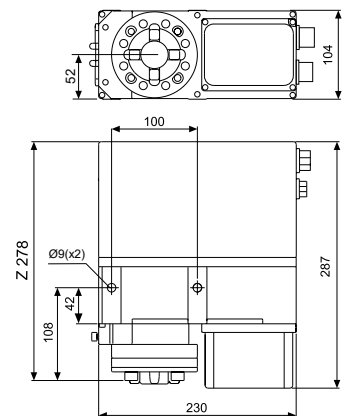
B-axis, rotating spindles & rotary table



B-axis, Macro

Compact rotary indexing tables with pneumatic Macro chuck. Indexing 0-360° with smallest step 0.001°. Air connections for open/close as well as turbo-locking/air-blast cleaning.

- Required drawbar 3R-605.1RS
- Indexing accuracy $\pm 0.003^\circ$ without correction
- Speed range 0-10 rpm
- Automatic air-blast cleaning of the Z-references
- Weight 18 kg



Machine-adapted B-axis, 3R-60.360X

NOTE: The units are controlled by the machine.

The mark and type of the machine must therefore be stated when ordering.

Neutral B-axis, 3R-60.360SA

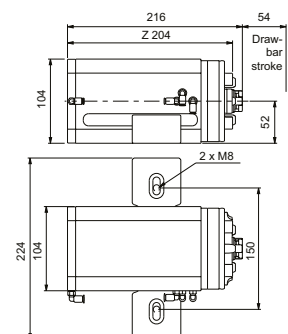
Supplied with a separate control unit.

Spare part kit brushes, 3R-SSP100 (same for all B-axis units).

Automatic indexing chuck, Macro, D-30206

Pneumatic in-built chucks for Macro holders. Can also be used in milling and grinding operations without high cutting forces.

- Automatic index positions 4x90°
- Submersible
- Clamps 3R-A239 included
- Suitable control unit D-30206-01 (not included)
- Weight 14 kg



B-axis, rotating spindles & rotary table

Really small parts that are difficult to produce in lathes or grinders can usefully be wire-EDMed using a rotating spindle on the machine table.

Rotating spindle, 3R-6.600-VHS

For clamping in a horizontal or vertical Macro chuck. Flushing via the spindle or an external flushing connection.

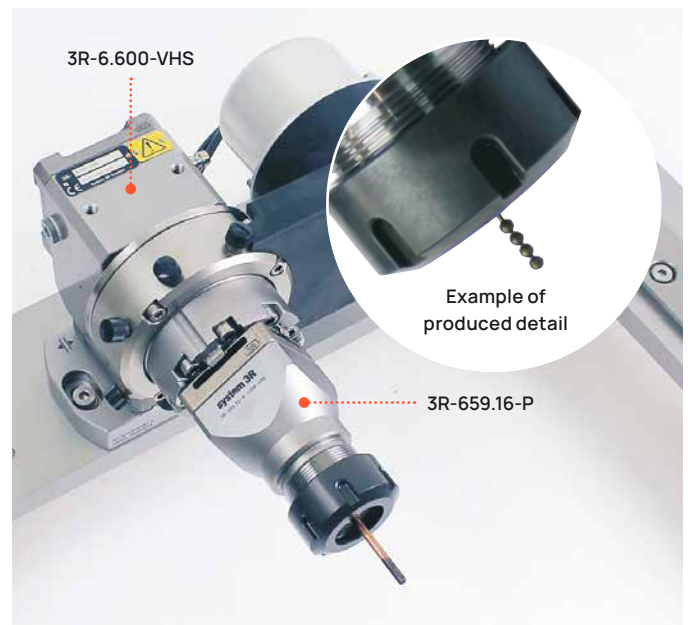
- Control unit included
- Required drawbar 3R-605.2RS
- Immersible
- Speed range 60-1,500 rpm
- Maximum workpiece weight 2 kg
- Maximum flushing pressure through the chuck 15 bars
- Maximum external flushing pressure 40 bars
- Weight 9.5 kg



Rotating spindle, 3R-6.300-EHS16

For clamping in a vertical Macro chuck. Flushing via the spindle or an external flushing connection. Recommended collets are Balzer EHS16, Regofix ER16 or Tecnopinz ETS16.

- Control unit included
- Drawbar depends on chosen chuck
- Immersible
- Speed range 60-2,000 rpm
- Maximum flushing pressure through the chuck 15 bars
- Maximum external flushing pressure 80 bars
- Weight 10 kg



Rotary table, Matrix 185, D-30229-X

Rotary table with Matrix 185 interface.

NOTE: The units are controlled by the machine. The mark and type of the machine must therefore be stated when ordering.

- Speed 8 rpm (variable 0-8 rpm)
- Maximum load 300 kg
- Submersible, IP68
- Weight 77 kg

