

Machine table with reference elements.

Basic equipment WEDM

WEDM positions the workpiece on the zero line in the machine's working area. Whether the workpiece is rectangular or round, small or large, thin or thick, tall or short, it is clamped with minimal risk of collision. There are infinitely many possible combinations in the product range, the only limitation being the user's imagination. Furthermore, System 3R also leads in number of installations worldwide.

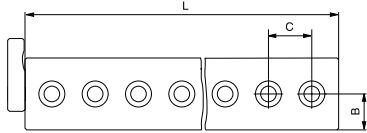
- Exceptional flexibility
- Accurately ground-in references
- Repeatable accuracy
- Double-sided parallel references
- Fits all machine tables with 25 or 50 mm pitch

Reference element WEDM, 3R-200.XJ-X

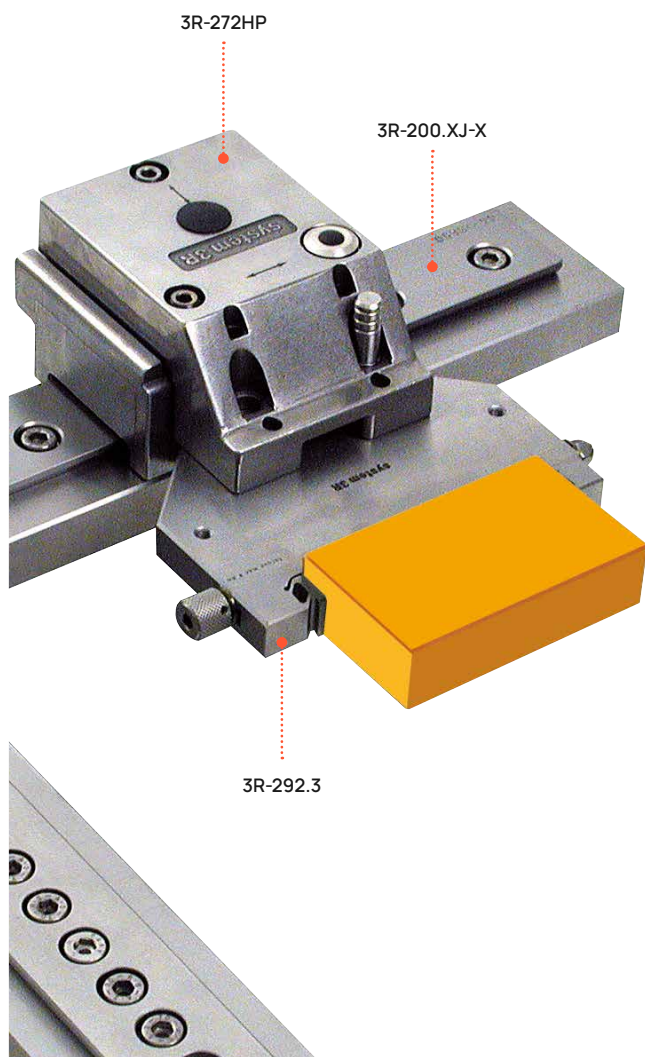
Reference elements for machines with zero-line table. The length (L), hole spacing (C) and hole edge spacing (B) of the hardened reference elements are matched to the machine in question.

NOTE: When ordering, state machine brand and model.

- Supplied with end stops

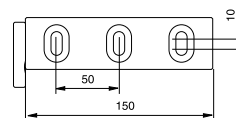


Please consult the reference element guides for your machine on www.system3R.com



Reference element WEDM, 3R-200.1J-U

- Universal 150 mm reference element with oval holes for all machines with tables that have M8 holes 30 to 40 mm from the edge



Reference stop, 3R-225

Can be moved steplessly along the entire reference element.

- Weight 0.3 kg



Overview of the WEDM system

Basic equipment on the machine table.

- Reference elements
- Mounting heads, 3Ruler and 3P
- Holder and vices

