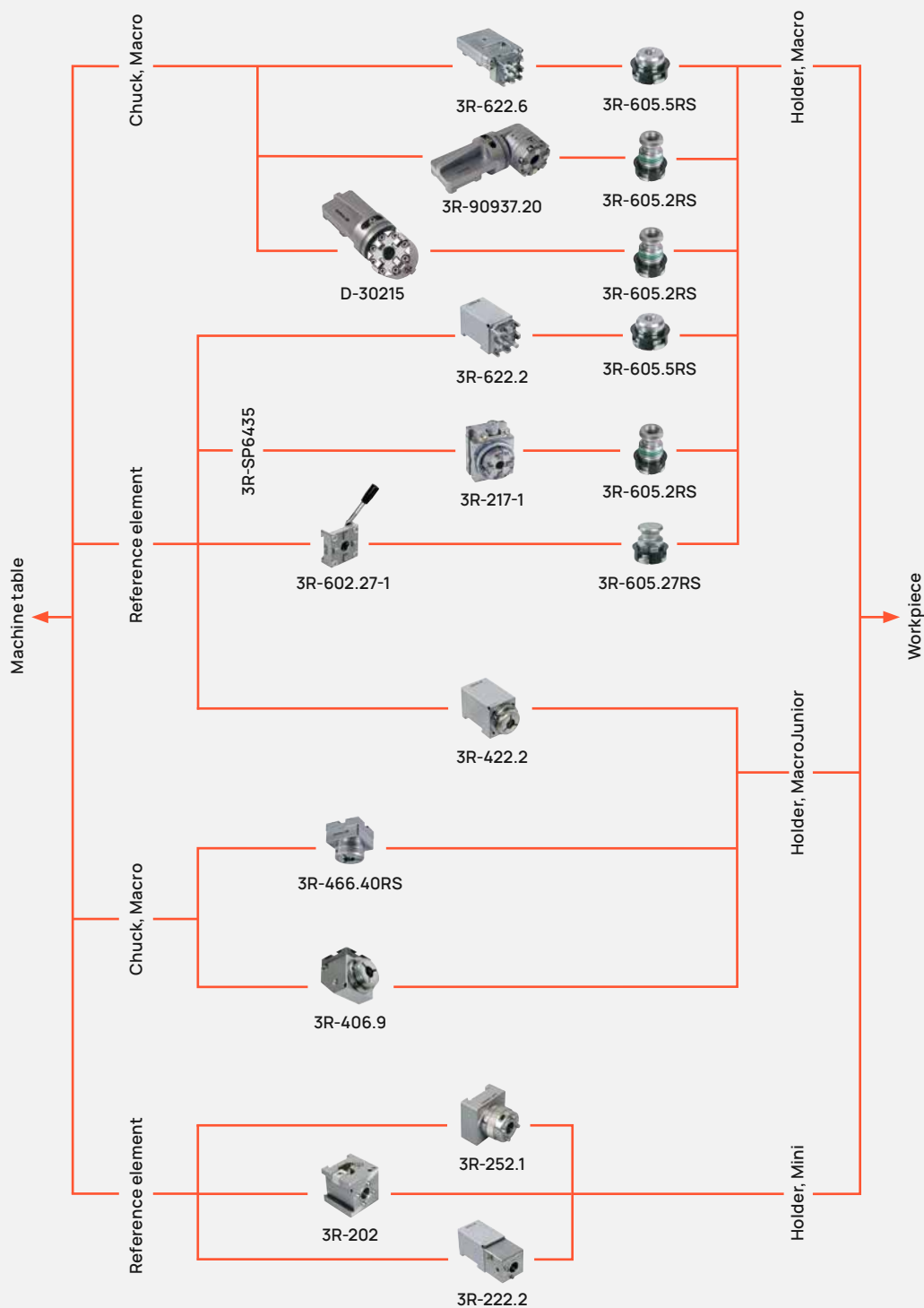


Chuck adapters

A wide range of chuck adapters for clamping workpieces on pallets in our Macro, MacroJunior and Mini systems. An ever-growing field of application is the manufacture of precision parts for the medical industry. Another is the manufacture of electrodes for die-sinking EDM. Our chuck adapters can interconnect all your machines to form a single system.



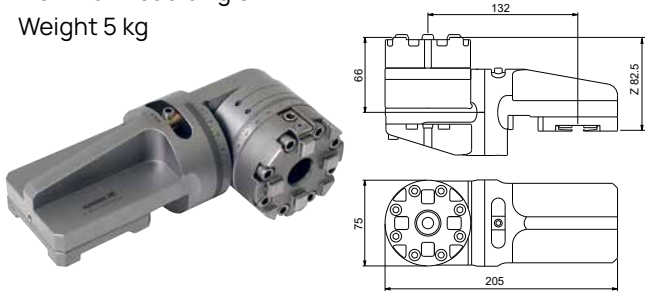
Chuck adapters

Angle swivel tool, Macro, 90937.20

Dual-axis angle swivel tool, Macro with vernier scale -90° to 0 to $+90^\circ$ together with swivel in the front.

NOTE: Macro chuck is required on the machine table for clamping.

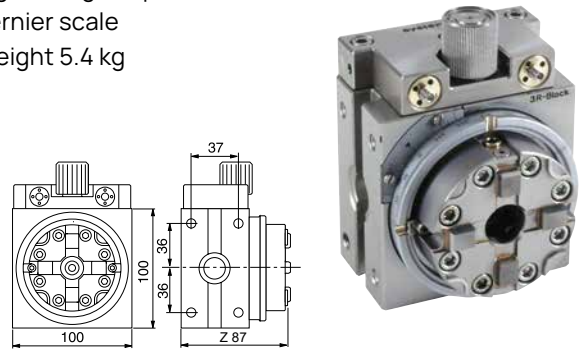
- Clamping force 6 kN
- Required drawbar 3R-605.2RS
- Tightening torque 6 Nm
- Maximum load 6 kg or 4 Nm
- Weight 5 kg



3R-block, Macro, 3R-217-1

For vertical or horizontal mounting on the machine table or, with the aid of 3R-SP6435, in the WEDM system.

- Clamping force 6 kN
- Fixed index positions $24 \times 15^\circ$
- Required drawbar 3R-605.2RS
- Tightening torque 6 Nm
- Vernier scale
- Weight 5.4 kg



Manual chuck, Macro, 3R-602.27-1

Chuck adapter with lever for Macro holder in the WEDM system.

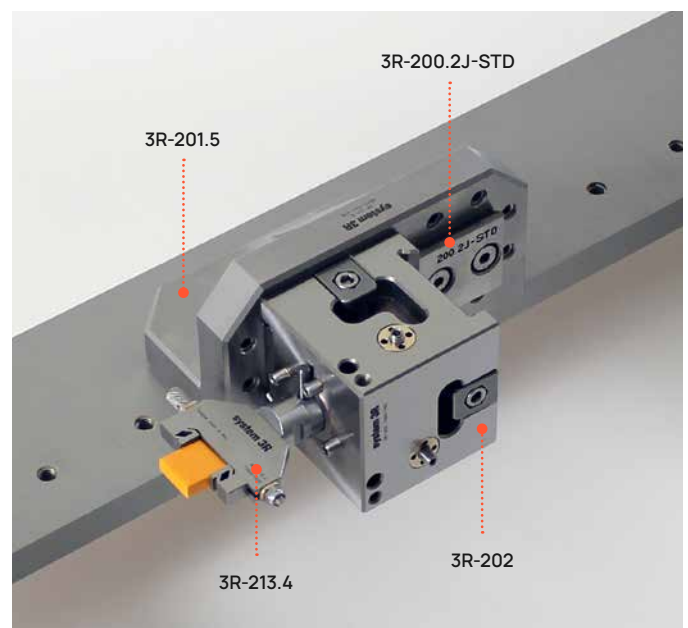
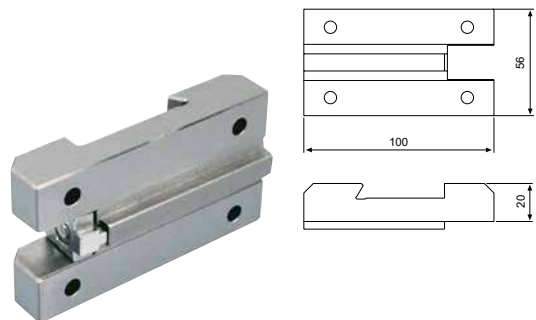
NOTE: When mounted on the reference element, the two clamping jaws must be tightened to the same torque, 4 Nm.

- Clamping force 6 kN
- Fixed index positions $4 \times 90^\circ$
- Supplied with drawbar 3R-605.27RS
- Weight 0.8 kg



Adapter, 3R-SP6435

Adapter element for mounting 3R-217-1 in the WEDM system.



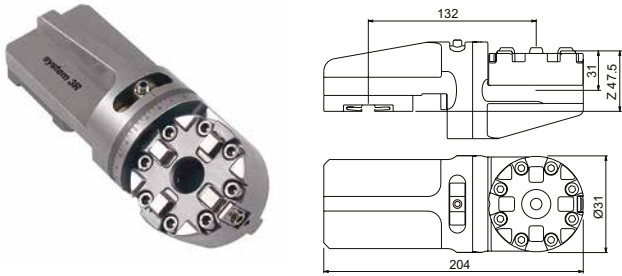
Chuck adapters

Angle tool, Macro, D-30215

Angle tool, Macro with vernier scale -90° to 0 to $+90^\circ$.

NOTE: Macro chuck is required on the machine table for clamping.

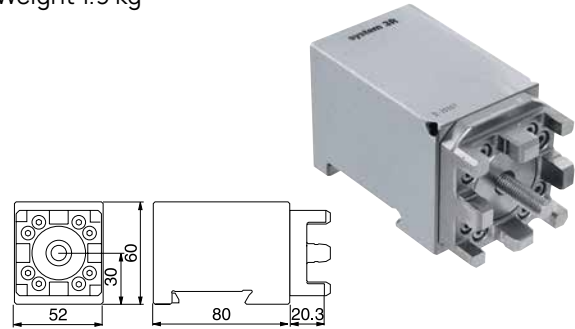
- Clamping force 6 kN
- Required drawbar 3R-605.2RS
- Tightening torque 6 Nm
- Weight 3.5 kg



Manual chuck, Macro, 3R-622.2

Chuck adapter for Macro holders in the WEDM system.

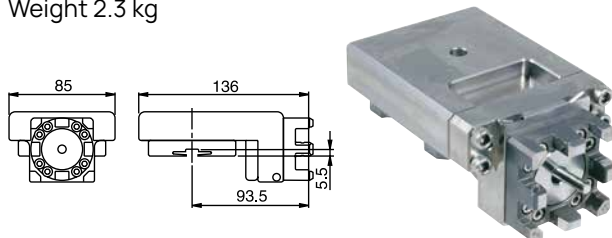
- Tightening torque 7 Nm
- Clamping force 6 kN
- Fixed index positions $4 \times 90^\circ$
- Supplied with drawbar 3R-605.5RS
- Weight 1.9 kg



Manual chuck, Macro, 3R-622.6

Chuck adapter for mounting Macro holders 90° in the Macro system.

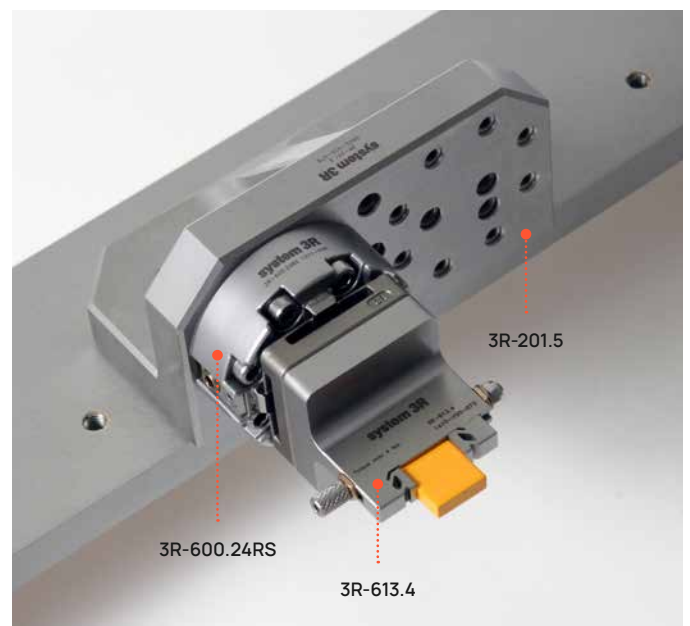
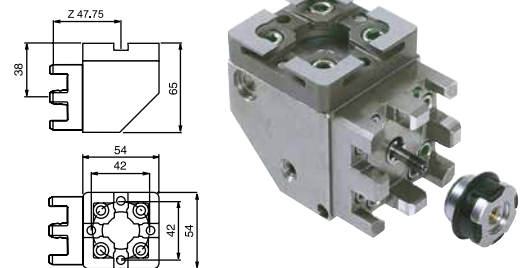
- Tightening torque 5 Nm
- Clamping force 6 kN
- Fixed index positions $4 \times 90^\circ$
- Supplied with drawbar 3R-605.5RS
- Ready for code carrier holder 3R-U30638
- Can be adapted for automatic changing with 3R-WP1
- Weight 2.3 kg



Manual chuck adapter 90° , Macro-Macro, 3R-652.9

For horizontal mounting of Macro holders.

- Tightening torque 6 Nm
- Clamping force 6 kN
- Fixed index positions $4 \times 90^\circ$
- Supplied with drawbar 3R-605.5RS
- Weight 2.4 kg

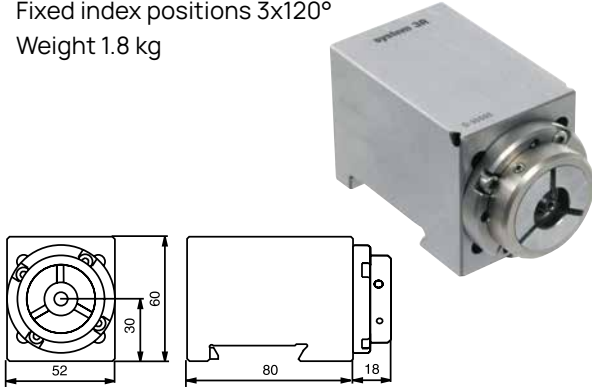


Chuck adapters & accessories

Manual chuck, MacroJunior, 3R-422.2

Chuck adapter with axial locking screw for MacroJunior holders in the WEDM system.

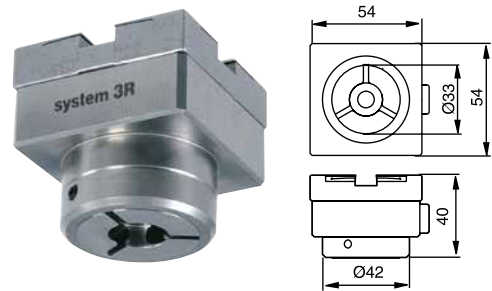
- Tightening torque 7 Nm
- Clamping force 6 kN
- Fixed index positions 3x120°
- Weight 1.8 kg



Manual chuck adapter, MacroJunior, 3R-466.40RS

Stainless steel chuck adapter for MacroJunior holders in the Macro system. Axial locking screw.

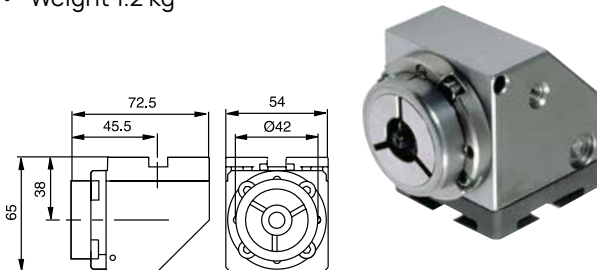
- Tightening torque 6 Nm
- Clamping force 6 kN
- Fixed index positions 3x120° and 4x90°
- Weight 0.4 kg



Manual chuck adapter, MacroJunior, 3R-406.9

For horizontal mounting of MacroJunior holders in the Macro system. Axial locking screw.

- Tightening torque 6 Nm
- Clamping force 6 kN
- Fixed index positions 3x120°
- Adapted for automatic changing
- Weight 1.2 kg



Locking ring key, 3R-605-GE

To lift the drawbar locking ring.

- Supplied in sets of 2



Drawbars

3R-605.2RS

- Drawbar $\text{Ø}20 \times 36.9$ mm with flushing hole $\text{Ø}7$ mm



3R-605.5RS

- Drawbar $\text{Ø}20 \times 19$ mm



3R-605.27RS

- Drawbar $\text{Ø}20 \times 27$ mm

