

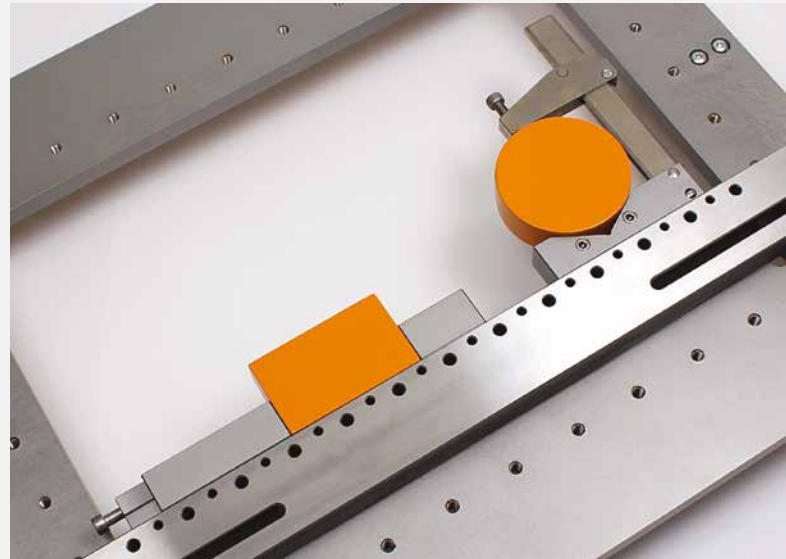
The EconoRuler system

The EconoRuler system has been developed for clamping medium-sized and large workpieces in machines with parallel, U-shaped or frame tables.

A comprehensive range of accessories gives a wide variety of applications.

- Robust design
- Flexibility (depending on your set-up, rulers can be used in pairs or alone)
- Best possible cutting rates (as the workpiece is secured on the zero line)
- Collision free set-up (using spacers under the rulers)
- Fits wide range of machine tables
- Enables use of workpieces of various sizes.

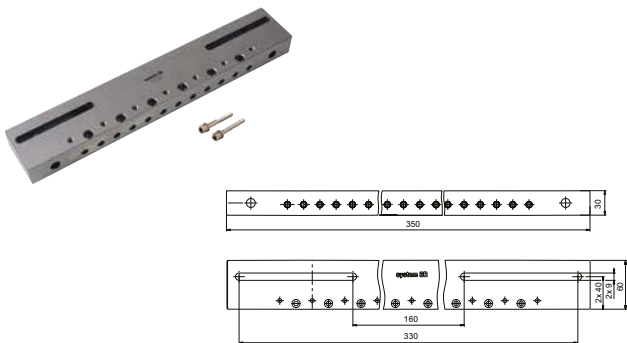
NOTE: Other EconoRuler lengths can be produced on request.



EconoRuler, 3R-209-350

Universal ruler for mounting directly on the machine table. Fits machine tables with hole pitch 160-330 mm.

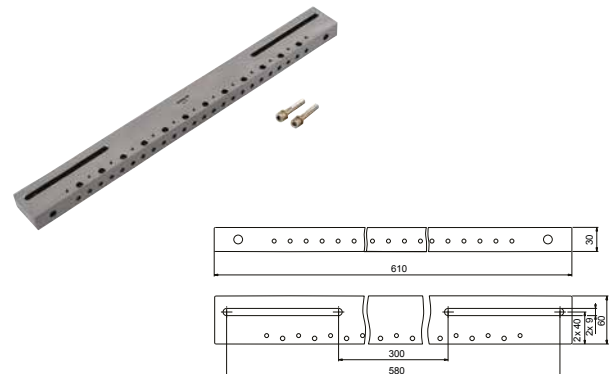
- Dimensions 350x60x30 mm



EconoRuler, 3R-209-610

Universal ruler for mounting directly on the machine table. Fits machine tables with hole pitch 300-580 mm.

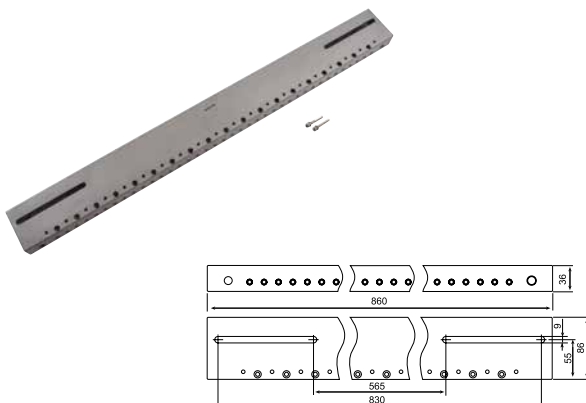
- Dimensions 610x60x30 mm



EconoRuler, 3R-209-860

Universal ruler for mounting directly on the machine table. Fits machine tables with hole pitch 565-830 mm.

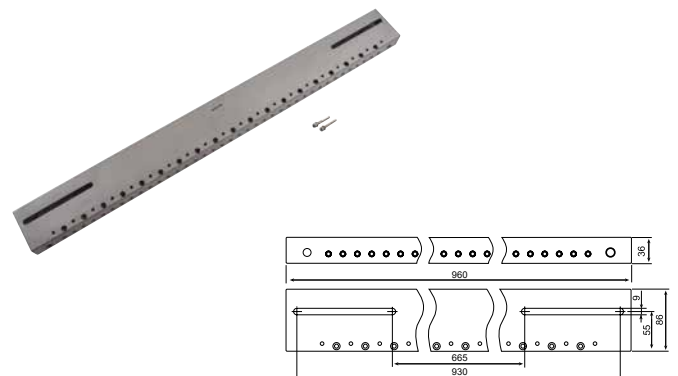
- Dimensions 860x86x36 mm



EconoRuler, 3R-209-960

Universal ruler for mounting directly on the machine table. Fits machine tables with hole pitch 665-930 mm.

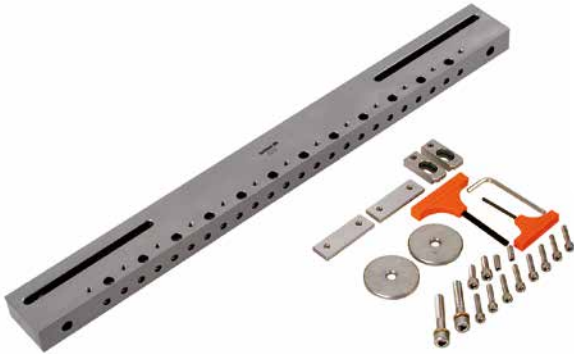
- Dimensions 960x86x36 mm



EconoRuler kits

EconoRuler kit

Kit for clamping rectangular workpieces.



3R-209-350.1

3R-209-350	Ruler, 350 mm	x1
3R-333-03	Allen key, 3 mm	x1
3R-333-05	Allen key, 5 mm	x1
	+ Accessories	

3R-209-610.1

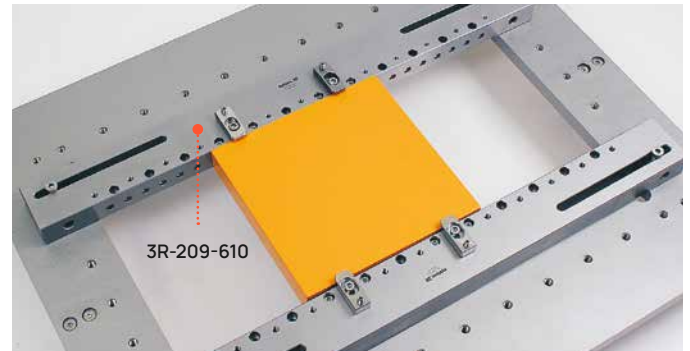
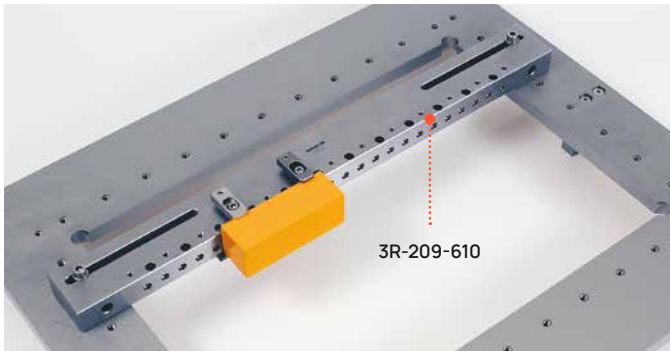
3R-209-610	Ruler, 610 mm	x1
3R-333-03	Allen key, 3 mm	x1
3R-333-05	Allen key, 5 mm	x1
	+ Accessories	

3R-209-860.1

3R-209-860	Ruler, 860 mm	x1
3R-333-03	Allen key, 3 mm	x1
3R-333-05	Allen key, 5 mm	x1
	+ Accessories	

3R-209-960.1

3R-209-960	Ruler, 960 mm	x1
3R-333-03	Allen key, 3 mm	x1
3R-333-05	Allen key, 5 mm	x1
	+ Accessories	



EconoRuler kit

Kit for clamping rectangular workpieces.



3R-209-350.2

3R-209-350	Ruler, 350 mm	x2
3R-333-03	Allen key, 3 mm	x1
3R-333-05	Allen key, 5 mm	x1
3R-A209	Clamps	x2
	+ Accessories	

3R-209-610.2

3R-209-610	Ruler, 610 mm	x2
3R-333-03	Allen key, 3 mm	x1
3R-333-05	Allen key, 5 mm	x1
3R-A209	Clamps	x2
	+ Accessories	

3R-209-860.2

3R-209-860	Ruler, 860 mm	x2
3R-333-03	Allen key, 3 mm	x1
3R-333-05	Allen key, 5 mm	x1
3R-A209	Clamps	x2
	+ Accessories	

3R-209-960.2

3R-209-960	Ruler, 960 mm	x2
3R-333-03	Allen key, 3 mm	x1
3R-333-05	Allen key, 5 mm	x1
3R-A209	Clamps	x2
	+ Accessories	

EconoRuler kits

EconoRuler kit

Kit for clamping rectangular workpieces.



3R-209-350.3

3R-209-350	Ruler, 350 mm	x1
3R-261.1	Support	x2
3R-333-03	Allen key, 3 mm	x1
3R-333-05	Allen key, 5 mm	x1
	+ Accessories	

3R-209-610.3

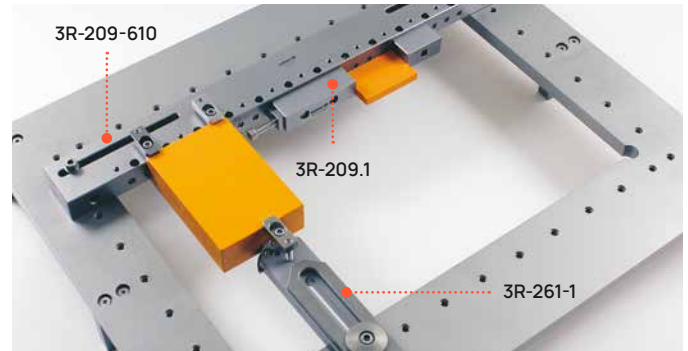
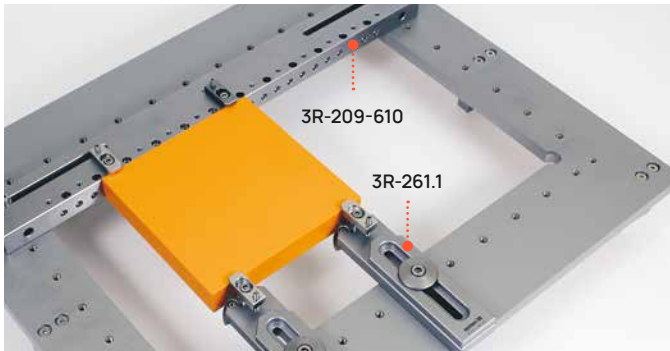
3R-209-610	Ruler, 610 mm	x1
3R-261.1	Support	x2
3R-333-03	Allen key, 3 mm	x1
3R-333-05	Allen key, 5 mm	x1
	+ Accessories	

3R-209-860.3

3R-209-860	Ruler, 860 mm	x1
3R-261.1	Support	x2
3R-333-03	Allen key, 3 mm	x1
3R-333-05	Allen key, 5 mm	x1
	+ Accessories	

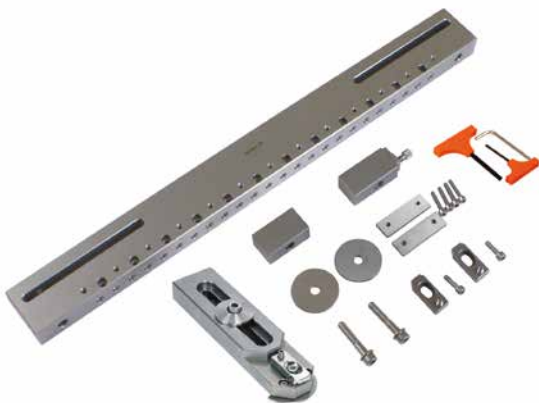
3R-209-960.3

3R-209-960	Ruler, 960 mm	x1
3R-261.1	Support	x2
3R-333-03	Allen key, 3 mm	x1
3R-333-05	Allen key, 5 mm	x1
	+ Accessories	



EconoRuler kit

Kit for clamping rectangular workpieces.



3R-209-350.4

3R-209-350	Ruler, 350 mm	x1
3R-261.1	Support	x1
3R-209.1	Ruler vice, Econo	x1
3R-333-03	Allen key, 3 mm	x1
3R-333-05	Allen key, 5 mm	x1
	+ Accessories	

3R-209-610.4

3R-209-610	Ruler, 610 mm	x1
3R-261.1	Support	x1
3R-209.1	Ruler vice, Econo	x1
3R-333-03	Allen key, 3 mm	x1
3R-333-05	Allen key, 5 mm	x1
	+ Accessories	

3R-209-860.4

3R-209-860	Ruler, 860 mm	x1
3R-261.1	Support	x1
3R-209.1	Ruler vice, Econo	x1
3R-333-03	Allen key, 3 mm	x1
3R-333-05	Allen key, 5 mm	x1
	+ Accessories	

EconoRuler accessories

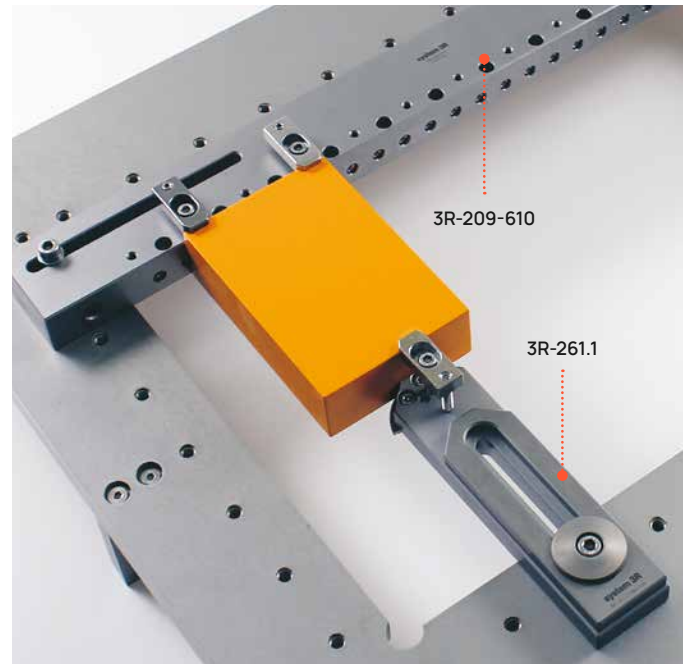
Ruler vice, Econo, 3R-209.1

Our SuperVice design jaws provide a wide clamping range for rectangular workpieces. Detachable Z-support tabs ensure simple setting-up.

- Recommended maximum workpiece weight with one vice 15 kg
- Recommended maximum workpiece weight with two vices 200 kg
- Tightening torque 8 Nm
- Weight 0.7 kg



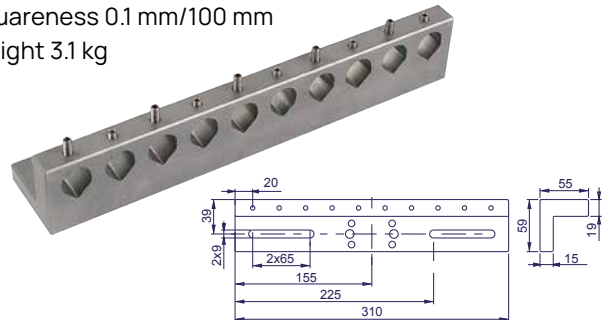
Other usable accessories can be found in the 3Ruler accessories section.



Multiple holder, Econo, 3R-294.7

Multiple holder for ten workpieces ($\varnothing 2-20$ mm) at the same time. Mount direct on table or with a leveling head.

- C-C = 30 mm
- Squareness 0.1 mm/100 mm
- Weight 3.1 kg



Other usable accessories can be found in the 3Ruler accessories section.

V-holder, Econo, 3R-209.3

For clamping round workpieces. To be mounted on EconoRuler.

- Suitable for horizontal or vertical mounting
- Clamping range $\varnothing 20-130$ mm
- Additional support < 300 mm
- Weight 0.9 kg



Clamps, 3R-A209

Aluminium clamps for mounting EconoRuler.

- Supplied in sets of 2



Universal holder, Econo, 3R-209.33

For clamping round workpieces. To be mounted on EconoRuler.

- Clamping range $\varnothing 15-110$ mm or 120×120 mm
- Weight 1.5 kg



Other usable accessories can be found in the 3Ruler accessories section